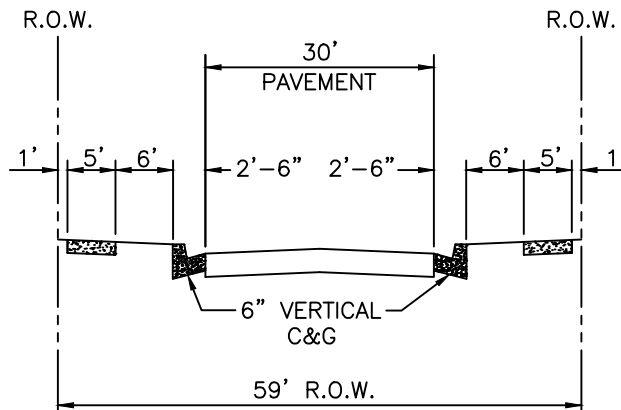


- PARKING ALLOWED ON BOTH SIDES OF STREET
- UTILIZED IN SINGLE FAMILY RESIDENTIAL AREAS

LOCAL W/ ATTACHED WALK

TO BE USED ONLY WITH WRITTEN PERMISSION FROM THE CITY ENGINEER



- PARKING ALLOWED ON BOTH SIDES OF STREET
- UTILIZED IN SINGLE FAMILY RESIDENTIAL AREAS

LOCAL W/ DETACHED WALK

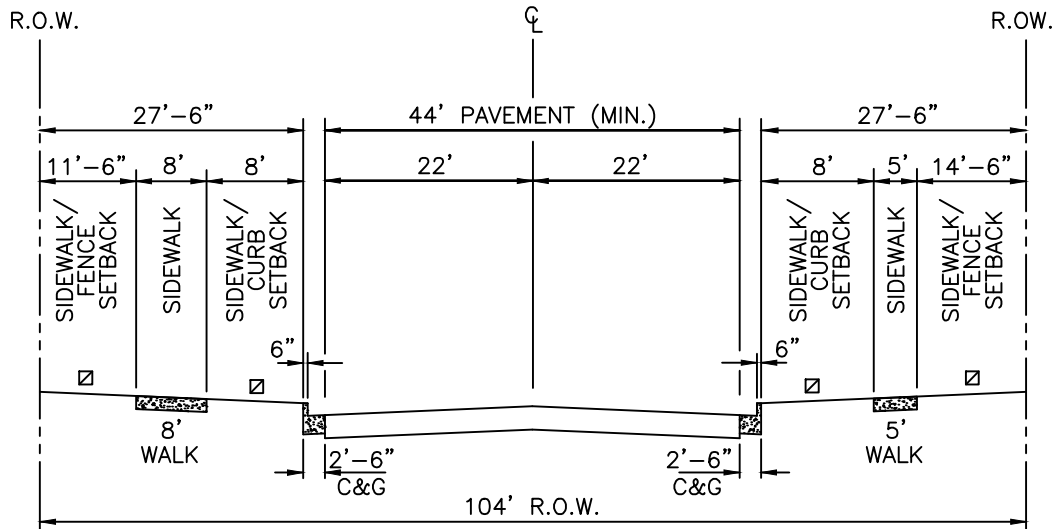


CITY of WESTMINSTER
 4800 WEST 92ND AVENUE
 WESTMINSTER, COLO. 80031

LOCAL
 TYPICAL SECTIONS

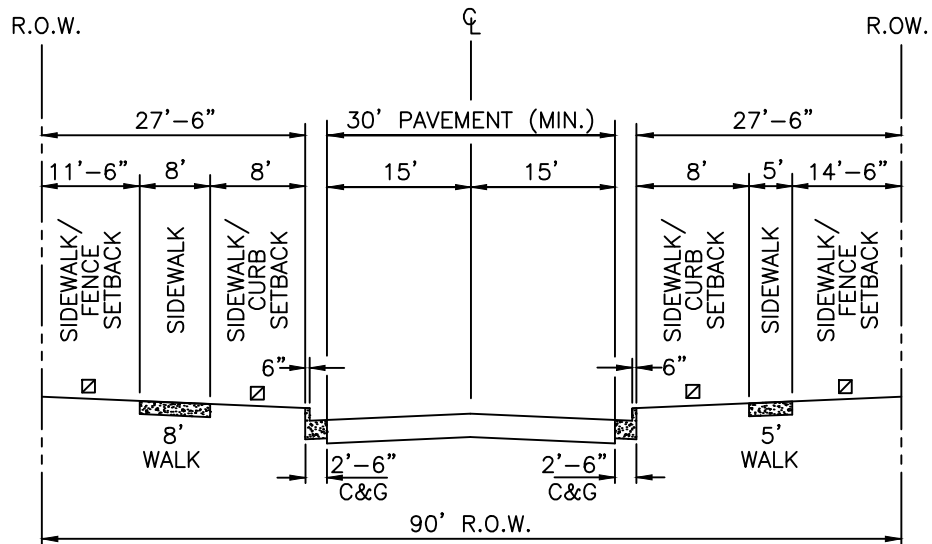
DATE: MARCH 2022

R1



- PROVIDE WIDENING AT INTERSECTIONS FOR LEFT TURN LANES AND DECEL LANES
RIGHT-OF-WAY WIDTH TO BE INCREASED TO 105' IN THESE AREAS.
- NO PARKING ALLOWED
- UTILIZED IN AREAS WHERE THERE IS LIMITED ACCESS AND PROJECTED TRAFFIC
VOLUMES ARE GREATER THAN 7,000 VEHICLES PER DAY.
- ☒ 2% MIN., 4:1 MAX. RETAINING WALLS TO ENSURE MAX. PERMITTED SLOPE BEHIND
BACK OF SIDEWALK SHALL BE LOCATED ON PRIVATE PROPERTY.

MAJOR COLLECTOR



- PARKING ALLOWED
- UTILIZED IN INDUSTRIAL, COMMERCIAL, MULTI-FAMILY, AND SINGLE-FAMILY
RESIDENTIAL AREAS WHERE ON-STREET PARKING IS REQUIRED.
- ☒ 2% MIN., 4:1 MAX. RETAINING WALLS TO ENSURE MAX. PERMITTED SLOPE BEHIND
BACK OF SIDEWALK SHALL BE LOCATED ON PRIVATE PROPERTY.

MINOR COLLECTOR

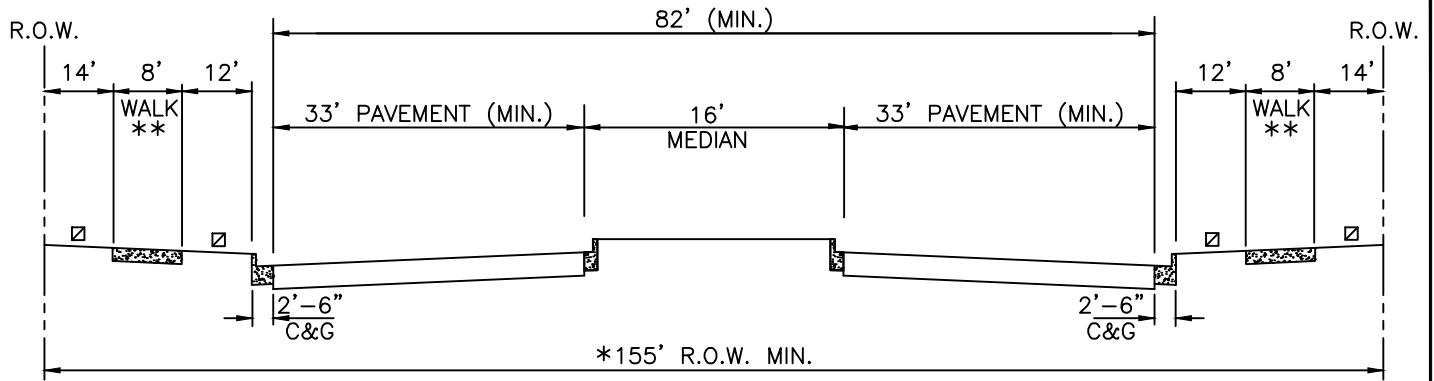


CITY of WESTMINSTER
 4800 WEST 92ND AVENUE
 WESTMINSTER, COLO. 80031

MAJOR & MINOR COLLECTORS
 TYPICAL SECTIONS

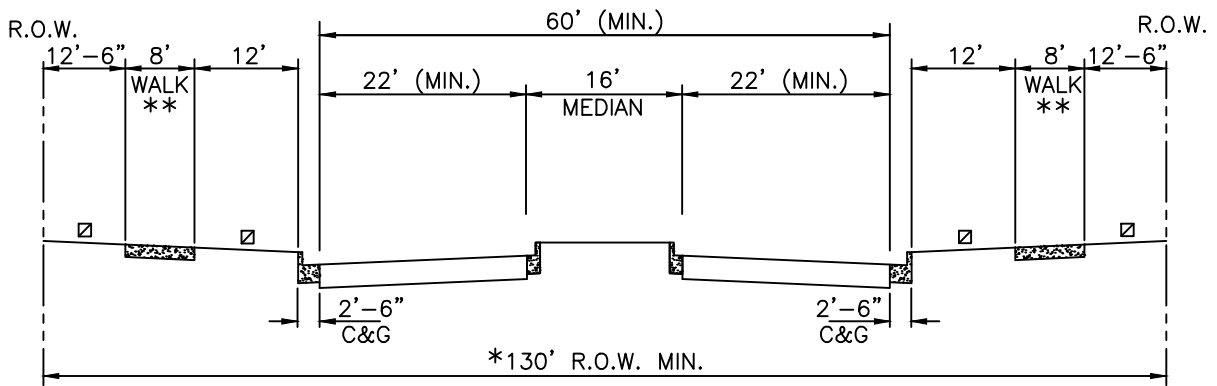
DATE: MARCH 2022

R2



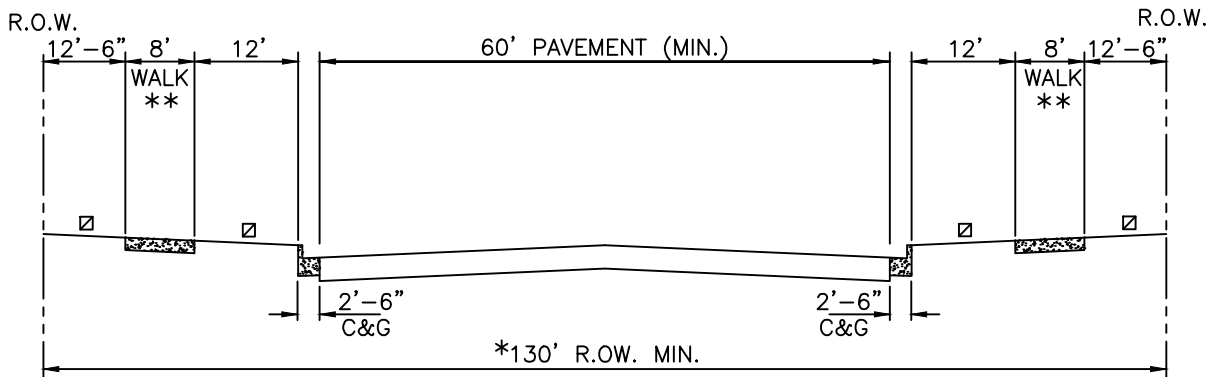
- NO PARKING ALLOWED.
- PROVIDE ACCEL/DECEL LANES AT INTERSECTIONS.
- PROVIDE ACCEL./DECEL. LANES AND DOUBLE TURN LANES AT MAJOR INTERSECTIONS AS NECESSARY.
- * ● AT MAJOR INTERSECTIONS THE R.O.W. WIDTH SHALL BE 188'.
- ** ● 10' OR 12' PATH WHEN DIRECTED BY THE CITY ENGINEER.

MAJOR ARTERIAL



- NO PARKING ALLOWED.
- PROVIDE DECEL LANES AT INTERSECTIONS.
- PROVIDE DECEL. LANES AND DOUBLE LEFT TURN LANES AT MAJOR INTERSECTIONS AS NECESSARY.
- * ● AT MAJOR INTERSECTIONS THE R.O.W. WIDTH SHALL BE 163'.
- ** ● 10' OR 12' PATH WHEN DIRECTED BY THE CITY ENGINEER.

MAJOR ARTERIAL



- NO PARKING ALLOWED.
- MEDIAN MAY BE PAINTED OR CURBED.
- * ● AT MAJOR INTERSECTIONS THE R.O.W. WIDTH SHALL BE 163'.
- ** ● 10' OR 12' PATH WHEN DIRECTED BY THE CITY ENGINEER.

MINOR ARTERIAL

☒ 2% MIN., 4:1 MAX. RETAINING WALLS TO ENSURE MAX. PERMITTED SLOPE BEHIND BACK OF SIDEWALK SHALL BE LOCATED ON PRIVATE PROPERTY.

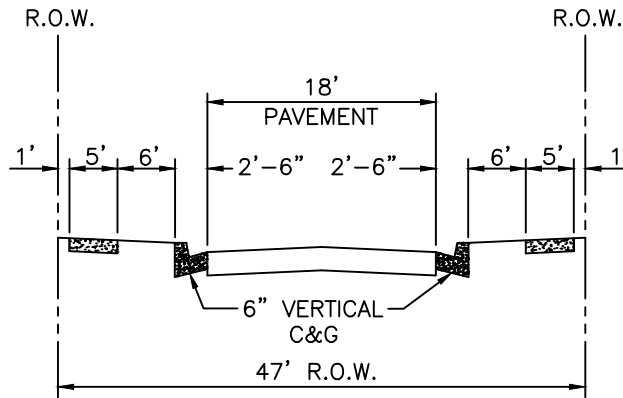


CITY of WESTMINSTER
 4800 WEST 92ND AVENUE
 WESTMINSTER, COLO. 80031

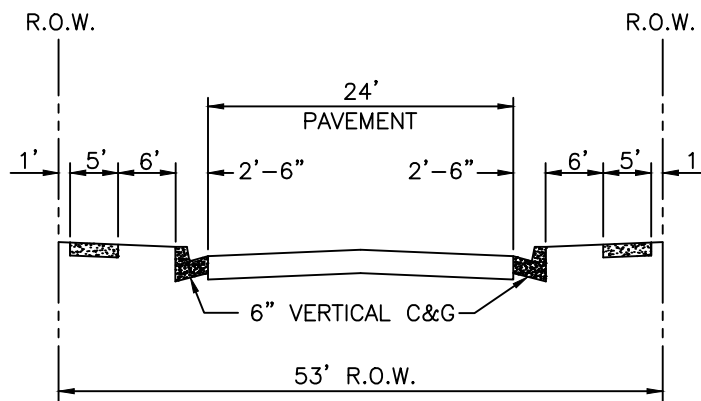
MAJOR AND MINOR ARTERIAL
 TYPICAL SECTIONS

DATE: MARCH 2022

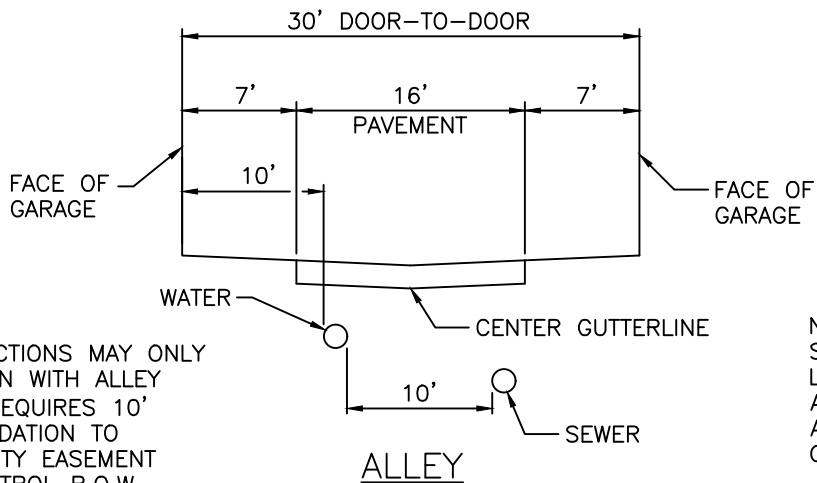
R3



ONE-WAY STREET WITH PARKING ON ONE SIDE



ONE-WAY STREET WITH PARKING ON BOTH SIDES
OR TWO-WAY STREET WITH PARKING ON ONE SIDE



NOTE: THESE CROSS SECTIONS MAY ONLY BE USED IN COMBINATION WITH ALLEY LOADED GARAGES AND REQUIRES 10' SEPARATION FROM FOUNDATION TO OUTSIDE OF PIPES. UTILITY EASEMENT REQUIREMENTS MAY CONTROL R.O.W. DIMENSIONS. IF NECESSARY THE SANITARY SEWER SHALL BE LOCATED IN THE ALLEY.

NOTE: WATER AND SEWER MAY BE LOCATED IN THE ALLEY ONLY WITH APPROVAL OF THE CITY ENGINEER.

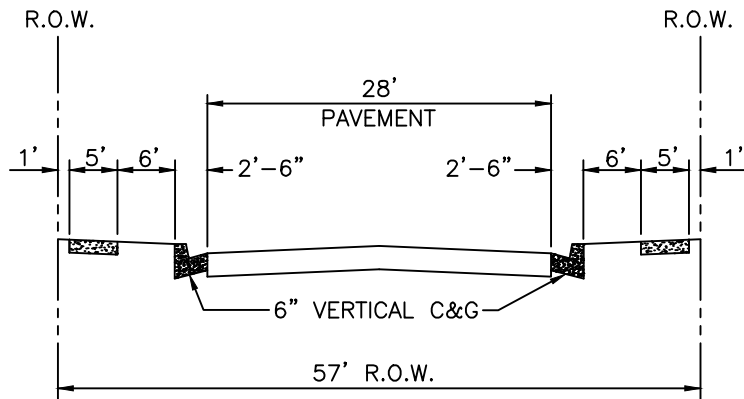


CITY of WESTMINSTER
4800 WEST 92ND AVENUE
WESTMINSTER, COLO. 80031

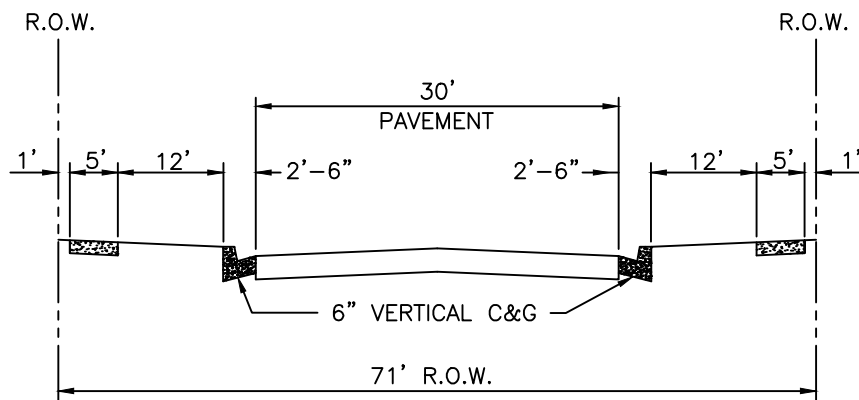
TMUND
TYPICAL SECTIONS

DATE: MARCH 2022

R4



TWO-WAY STREET WITH PARKING ON BOTH SIDES



MINOR COLLECTOR

NOTE: THESE CROSS SECTIONS MAY ONLY BE USED IN COMBINATION WITH ALLEY LOADED GARAGES AND REQUIRES 10' SEPARATION OF SEWER OF WATER. UTILITY EASEMENT REQUIREMENTS MAY CONTROL R.O.W. DIMENSIONS. IF NECESSARY THE SANITARY SEWER SHALL BE LOCATED IN THE ALLEY.

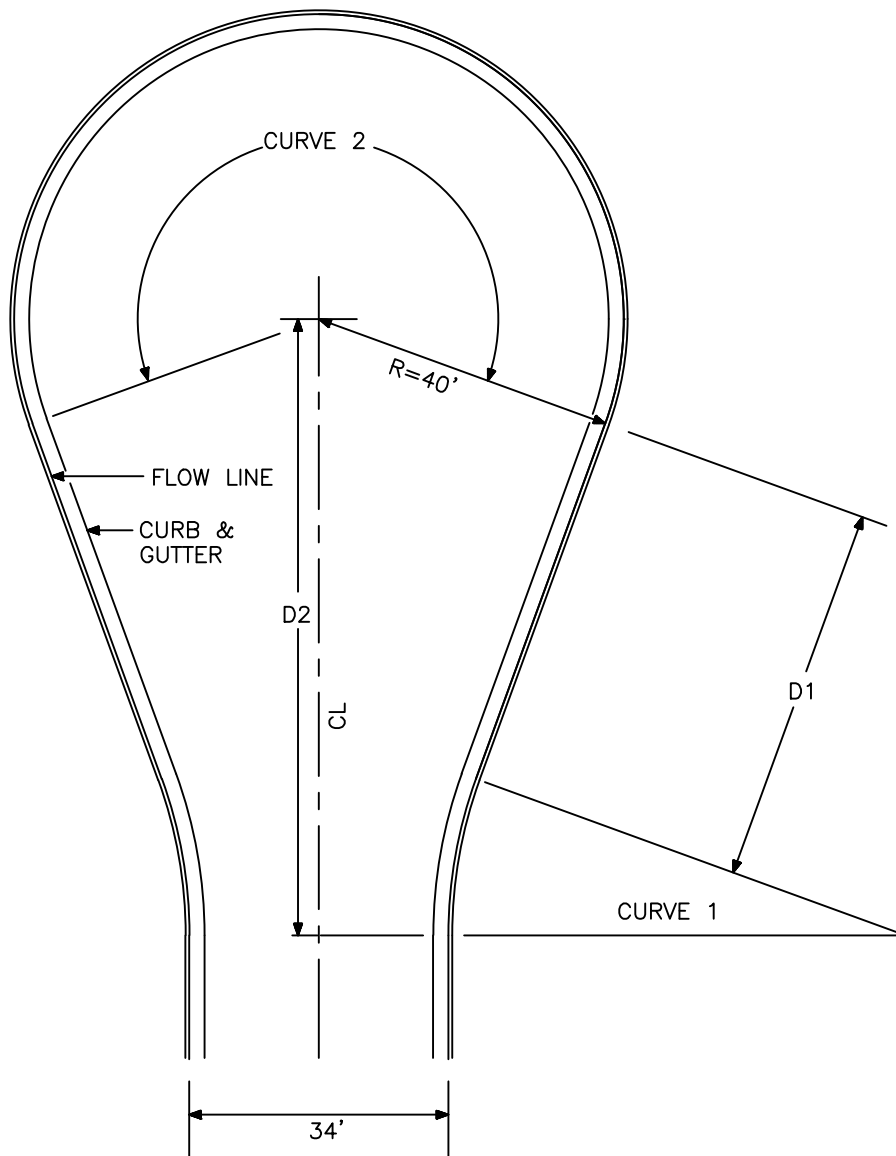


CITY of WESTMINSTER
 4800 WEST 92ND AVENUE
 WESTMINSTER, COLO. 80031

TMUND
 TYPICAL SECTIONS

DATE: MARCH 2022

R5



CURVE 1				CURVE 2		
△	CURB			△	CURB	
	R	L	T		R	L
20°00'00"	60.0'	20.94'	10.58'	220°00'00"	40.0'	153.59'
STREET WIDTH		D1		D2		
34		49.61'		80.82'		

NOTES:

1. ADDITIONAL CURB RAMPS MAY BE REQUIRED AT THE DIRECTION OF THE CITY ENGINEER.
2. THE STREET GRADE SHALL NOT DRAIN TOWARD THE CUL-DE-SAC. DRAINAGE SHALL BE AWAY FROM THE CUL-DE-SAC.

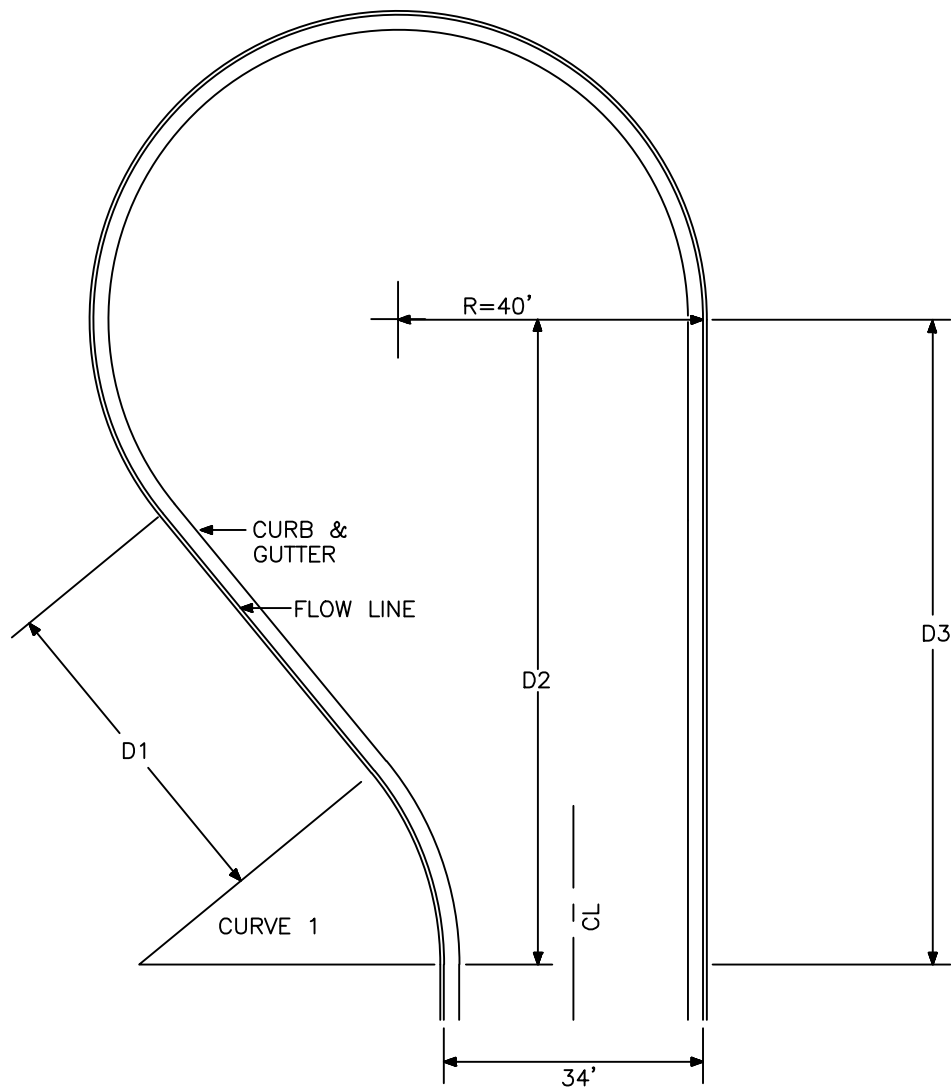


CITY of WESTMINSTER
 4800 WEST 92ND AVENUE
 WESTMINSTER, COLO. 80031

CUL-DE-SACS
 DETAIL

DATE: MARCH 2022

R6



CURVE 1				
STREET WIDTH	△	CURB		
		R	L	T
34	39°26'57"	40.0'	27.54'	14.34'
D1	D2	D3		
43.72'	84.59'	84.59'		

NOTE:

1. ADDITIONAL CURB RAMPS MAY BE REQUIRED AT THE DIRECTION OF THE CITY ENGINEER.
2. THE STREET GRADE SHALL NOT DRAIN TOWARD THE CUL-DE-SAC. DRAINAGE SHALL BE AWAY FROM THE CUL-DE-SAC.

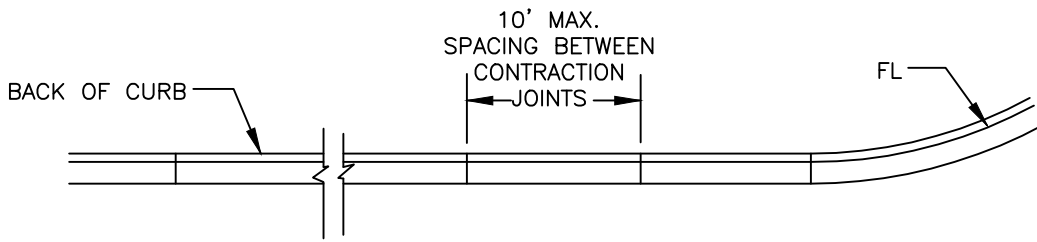


CITY of WESTMINSTER
 4800 WEST 92ND AVENUE
 WESTMINSTER, COLO. 80031

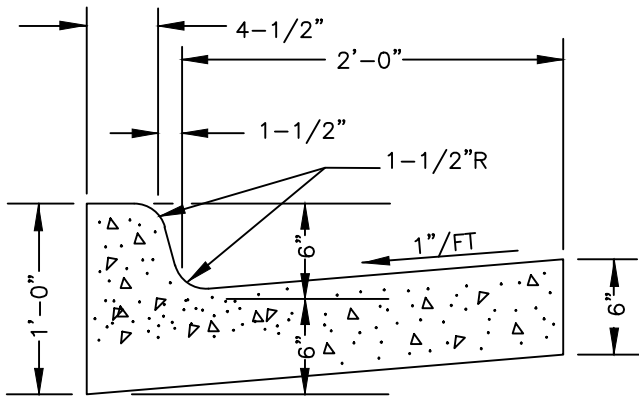
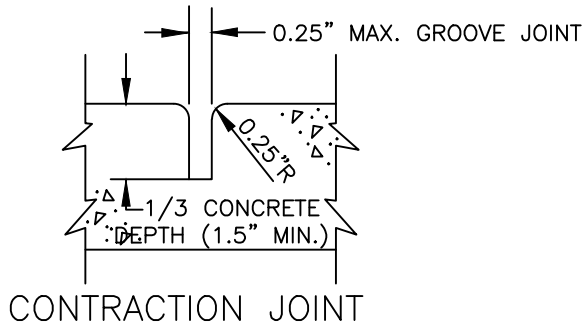
CUL-DE-SACS
 DETAIL

DATE: MARCH 2022

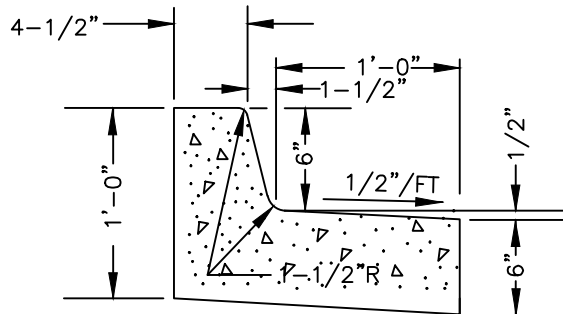
R7



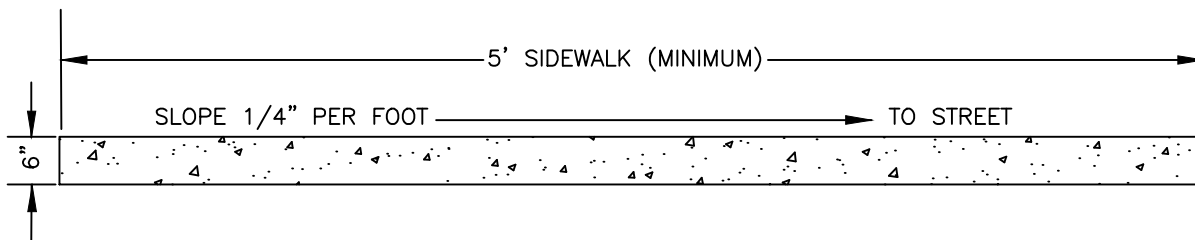
LAYOUT



6" VERTICAL CURB & GUTTER



6" VERTICAL MEDIAN CURB & GUTTER



ATTACHED OR DETACHED WALK

NTS

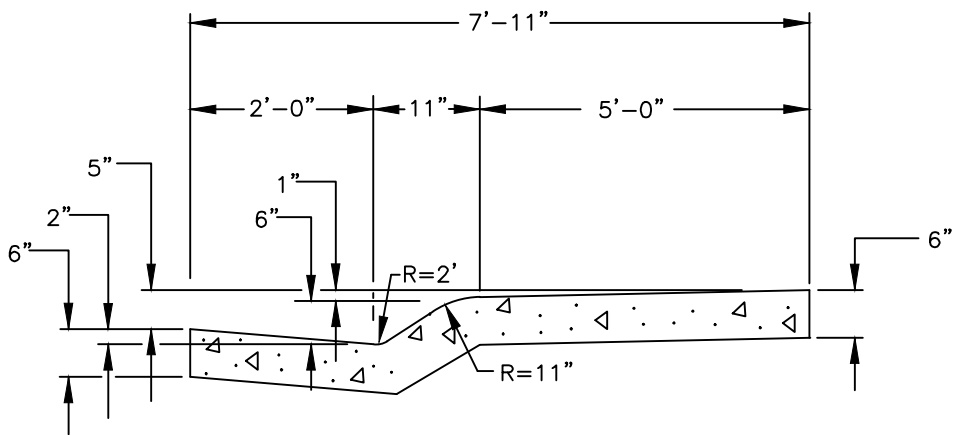


CITY of WESTMINSTER
 4800 WEST 92ND AVENUE
 WESTMINSTER, COLO. 80031

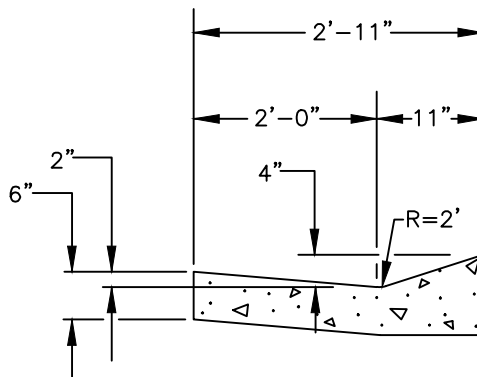
VERTICAL
 CURB & GUTTER

DATE: MARCH 2022

R8



COMBINATION CURB, GUTTER & WALK
STANDARD SECTION



4" MOUNTABLE CURB & GUTTER

NTS



CITY of WESTMINSTER
4800 WEST 92ND AVENUE
WESTMINSTER, COLO. 80031

COMBINATION CURB,
GUTTER & WALK

DATE: MARCH 2022

R9

CURB RAMP GENERAL NOTES:

1. THE DETECTABLE WARNINGS SHALL BE INSTALLED AT SIDEWALK TO STREET TRANSITIONS. THEY SHALL HAVE A TRUNCATED DOME SURFACE. THE DOMES SHALL BE IN A SQUARE GRID PATTERN AND ALIGNED WITH PEDESTRIAN TRAFFIC.
2. ALL DETECTABLE WARNING SURFACES SHALL START A MINIMUM OF 6 INCHES FROM THE FLOWLINE OF THE CURB AND NOT BE MORE THAN A MAXIMUM OF 8 INCHES FROM ANY POINT ON THE FLOWLINE OF THE CURB, WITH EXCEPTION FOR TYPES 1B MODIFIED, 3B MODIFIED AND 4B MODIFIED CURB RAMPS AS THIS DIMENSION MAY BE GREATER THAN 8 INCHES ON ONE SIDE OF THE RADIUS.
3. REFER TO SECTION 6.20.00 AND SECTION 6.75.00 OF THE CITY STANDARDS AND SPECIFICATIONS FOR ADDITIONAL INFORMATION ON TRUNCATED DOMES.
4. THE RAMP SLOPE AND DETECTABLE WARNING SURFACE SHALL BE 8.3% OR FLATTER.
5. TOLERANCE LIMITS ON THE RAMP RUNNING SLOPE AND FLARED SIDE SLOPES SHALL BE +0.5% MAXIMUM. THOSE EXCEEDING THE MAXIMUM TOLERANCE WILL NOT BE ACCEPTED.
6. THE MINIMUM WIDTH FOR SIDEWALK IS 5 FEET. TURNING SPACE AREAS REQUIRED ON TYPE 1A AND 1B CURB RAMPS MAY BE REDUCED TO 4' ON RETROFIT RAMPS IF SITE CONDITIONS DO NOT ALLOW 5'.
7. DRAINAGE STRUCTURES, TRAFFIC SIGNAL EQUIPMENT OR OTHER OBSTRUCTIONS SHALL NOT BE INSTALLED IN THE CURB RAMP OR TURNING SPACE AREAS.
8. IF THE PLACEMENT OF THE PEDESTRIAN PUSH BUTTON ON A TRAFFIC SIGNAL POLE WILL NOT BE WITHIN EASY REACH (10 INCHES OR LESS AND UNOBSTRUCTED) OF ALL PEDESTRIANS (IN ACCORDANCE WITH THE AMERICANS WITH DISABILITIES ACT), THEN A SEPARATE PEDESTRIAN PUSH BUTTON POST ASSEMBLY (PPBPA) SHALL BE INSTALLED WITHIN ADA REACH RANGES. THE PPBPA SHALL MEET THE PROVISIONS FOUND IN THE "PEDESTRIAN DETECTORS" SECTION OF THE MUTCD.
9. DIAGONAL CURB RAMPS (ON THE APEX) ARE NOT PREFERRED IN NEW CONSTRUCTION. A SINGLE DIAGONAL CURB RAMP (ON THE APEX) WILL ONLY BE PERMITTED DURING RECONSTRUCTION OR ALTERATION WHERE PHYSICAL OR SITE CONSTRAINTS PREVENT TWO CURB RAMPS FROM BEING INSTALLED.
10. CURB RAMPS (EXCLUDING FLARED SIDES OR BLENDED TRANSITIONS) SHALL BE WHOLLY CONTAINED WITHIN THE WIDTH OF THE CROSSWALK AND/OR THE PEDESTRIAN STREET CROSSING THEY SERVE.
11. ALL CURB RAMP JOINTS AND GRADE BREAKS SHALL BE FLUSH ($0" \pm \frac{1}{8}"$). THE JOINT BETWEEN THE ROADWAY SURFACE AND GUTTER PAN SHALL BE FLUSH.
12. THE CONTRACTOR SHALL VERIFY REMOVAL LIMITS ARE SUFFICIENT TO PROVIDE POSITIVE DRAINAGE, MAINTAIN EXISTING DRAINAGE PATTERNS, AND AVOID PONDING IN THE FINAL CONFIGURATION.
13. TO AVOID CHASING GRADE INDEFINITELY WHEN TRAVERSING THE HEIGHT OF THE CURB, THE RAMP LENGTH SHALL NOT EXCEED 15 FEET. ADJUST THE RAMP SLOPE AS NEEDED TO PROVIDE ACCESS TO THE MAXIMUM EXTENT TECHNICALLY FEASIBLE.
14. THE CHANGE IN GRADE AT THE BOTTOM OF THE CURB RAMP AND ADJOINING ROAD SURFACE SHALL NOT EXCEED AN ALGEBRAIC DIFFERENCE OF 13.33%. THE COUNTER SLOPE OF THE GUTTER OR ROAD AT THE FOOT OF A CURB RAMP, TURNING SPACE, OR BLENDED TRANSITION SHALL NOT EXCEED 5.0%.
15. FLARED SIDE SLOPES MAY EXCEED 10% ONLY WHERE THEY ABUT A NON-WALKABLE SURFACE OR THE ADJACENT CIRCULATION PATH IS BLOCKED.

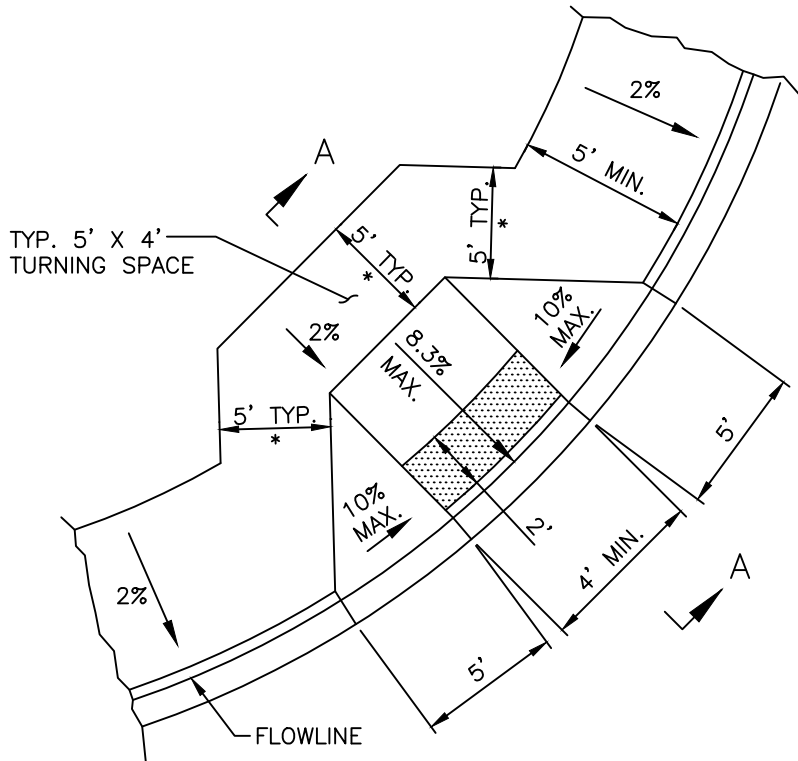


CITY of WESTMINSTER
 4800 WEST 92ND AVENUE
 WESTMINSTER, COLO. 80031

CURB RAMP
 GENERAL NOTES

DATE: MARCH 2022

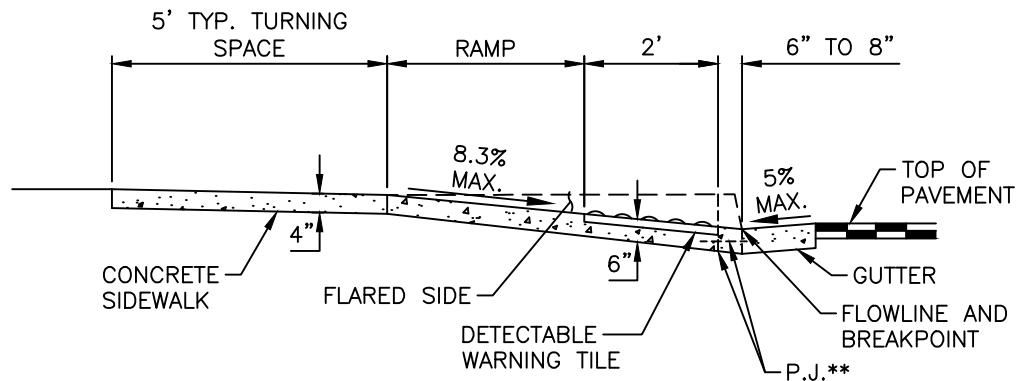
R10



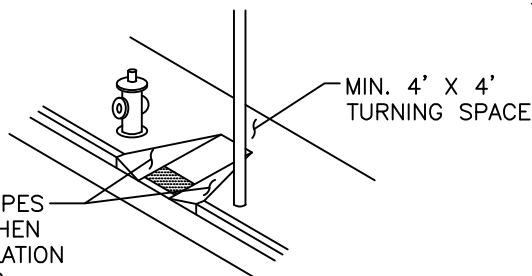
* THE TURNING SPACE SHALL BE 5' WIDE TYPICAL. IT MAY BE REDUCED TO 4' MIN. ON RETROFIT RAMPS WHEN LIMITED BY SITE CONDITIONS.

NOTE: CURB RAMP TYPE 1A (APEX RAMP) IS NOT ALLOWED IN NEW CONSTRUCTION. SEE NOTE 8 ON SHEET R10.

CURB RAMP TYPE 1A



SECTION A-A



FLARED SIDE SLOPES MAY BE >10% WHEN ADJACENT CIRCULATION PATH IS BLOCKED

** P.J.=PERMISSIBLE JOINT WITH EPOXY-COATED DEFORMED NO. 4 BY 18 INCH BARS CONFORMING TO AASHTO M 284 AT 18 INCH SPACING.

STEEP FLARED SIDE SLOPES

NOT TO SCALE



CITY of WESTMINSTER
4800 WEST 92ND AVENUE
WESTMINSTER, COLO. 80031

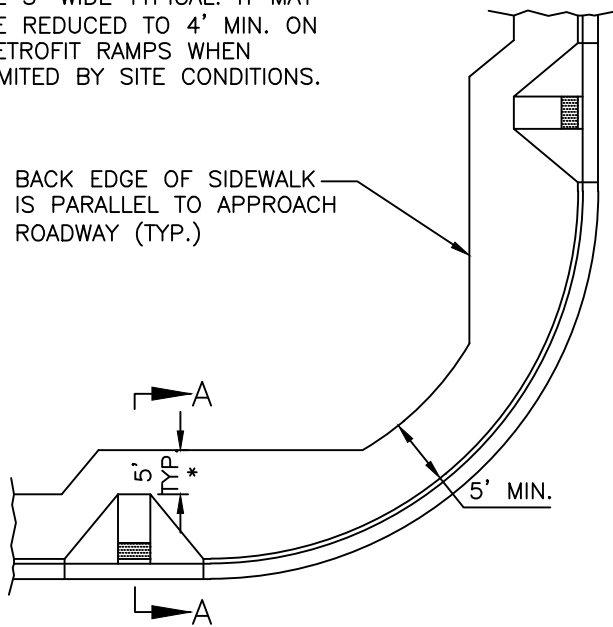
CURB RAMP
TYPE 1A

DATE: MARCH 2022

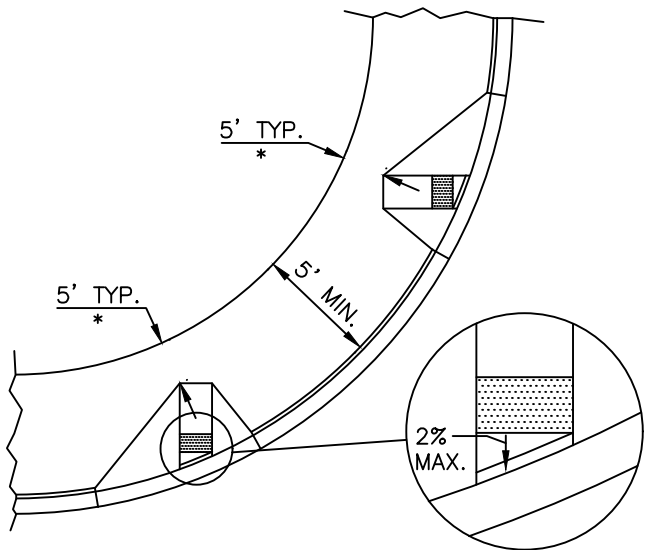
R11

* THE TURNING SPACE SHALL BE 5' WIDE TYPICAL. IT MAY BE REDUCED TO 4' MIN. ON RETROFIT RAMPS WHEN LIMITED BY SITE CONDITIONS.

BACK EDGE OF SIDEWALK IS PARALLEL TO APPROACH ROADWAY (TYP.)

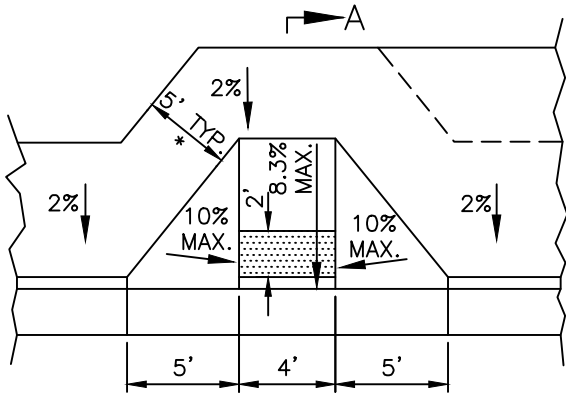


CURB RAMP TYPE 1B



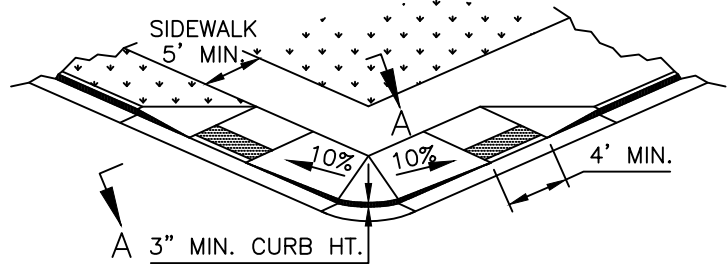
SEE DETECTABLE WARNING PLACEMENT GUIDE DETAIL ON SHEET R19.

CURB RAMP TYPE 1B MODIFIED



CURB RAMP TYPE 1B DETAIL

MAY BE USED IN MID-BLOCK CROSSINGS



CURB RAMP TYPE 1B OR 3B
REDUCED CURB HEIGHT

SEE SHEET R11 FOR SECTION A-A

NOT TO SCALE

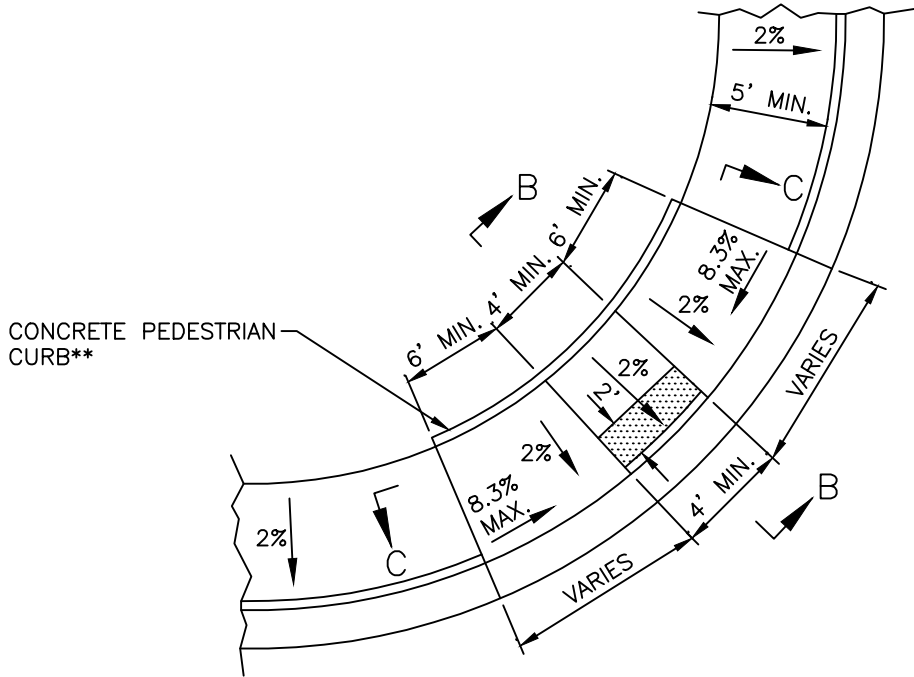


CITY of WESTMINSTER
4800 WEST 92ND AVENUE
WESTMINSTER, COLO. 80031

CURB RAMP
TYPE 1B

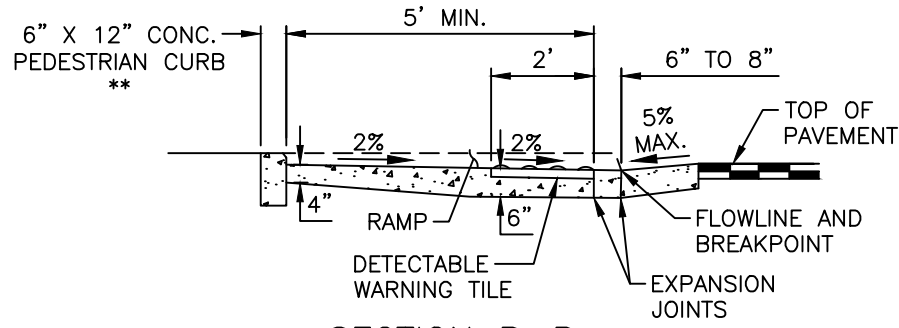
DATE: MARCH 2022

R12



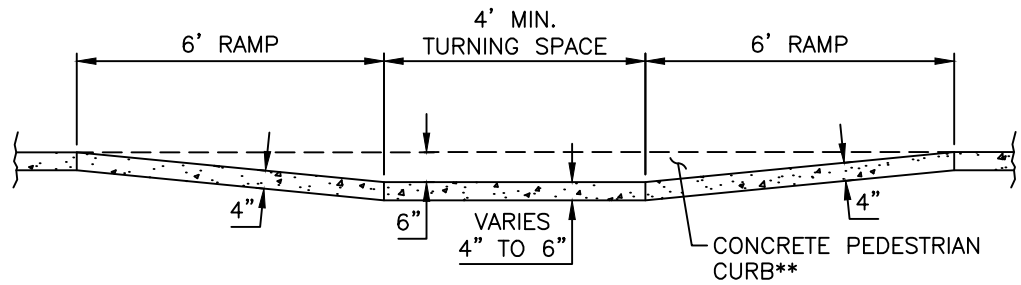
NOTE: CURB RAMP TYPE 2A (APEX RAMP) IS NOT ALLOWED IN NEW CONSTRUCTION. SEE NOTE 8 ON SHEET R10.

CURB RAMP TYPE 2A



SECTION B-B

** THE PEDESTRIAN CURB MAY BE OMITTED IF THE GROUND SURFACE AT THE BACK OF THE CURB RAMP OR LANDING IS THE SAME ELEVATION AS THE CURB RAMP OR LANDING AND THERE IS NO MATERIAL TO RETAIN.



SECTION C-C

NOT TO SCALE

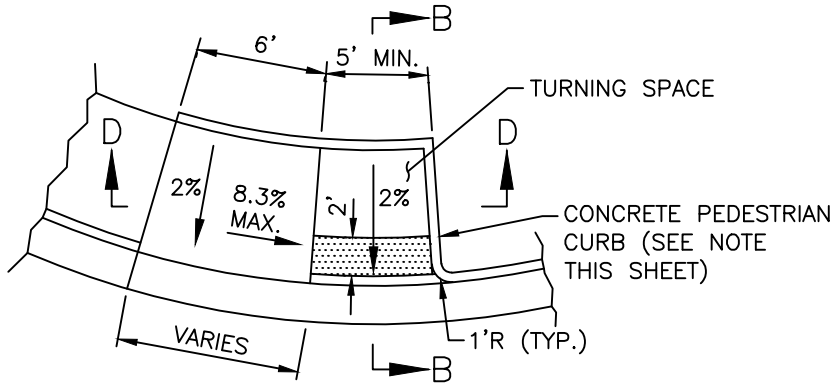


CITY of WESTMINSTER
 4800 WEST 92ND AVENUE
 WESTMINSTER, COLO. 80031

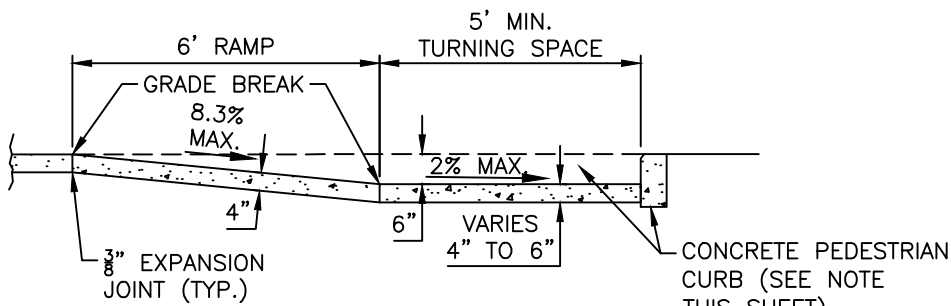
CURB RAMP
 TYPE 2A

DATE: MARCH 2022

R13

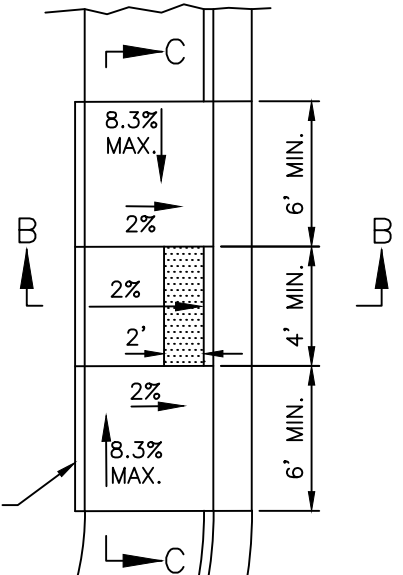


CURB RAMP TYPE 2C

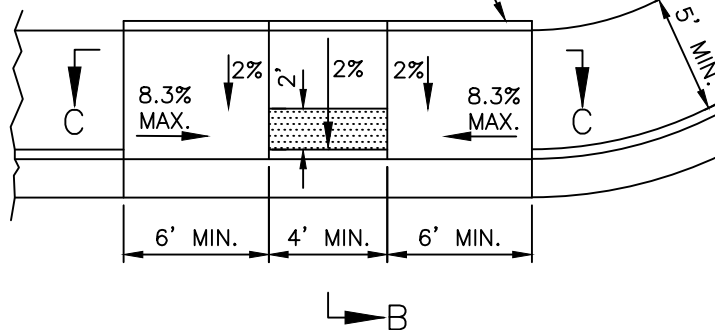


SECTION D-D

SEE SHEET R13 FOR SECTIONS B-B AND C-C



CONCRETE PEDESTRIAN CURB (SEE NOTE THIS SHEET)



CURB RAMP TYPE 2B

MAY BE USED IN MID-BLOCK CROSSINGS

NOTE: THE PEDESTRIAN CURB MAY BE OMITTED IF THE GROUND SURFACE AT THE BACK OF THE CURB RAMP OR LANDING IS THE SAME ELEVATION AS THE CURB RAMP OR LANDING AND THERE IS NO MATERIAL TO RETAIN.

NOT TO SCALE



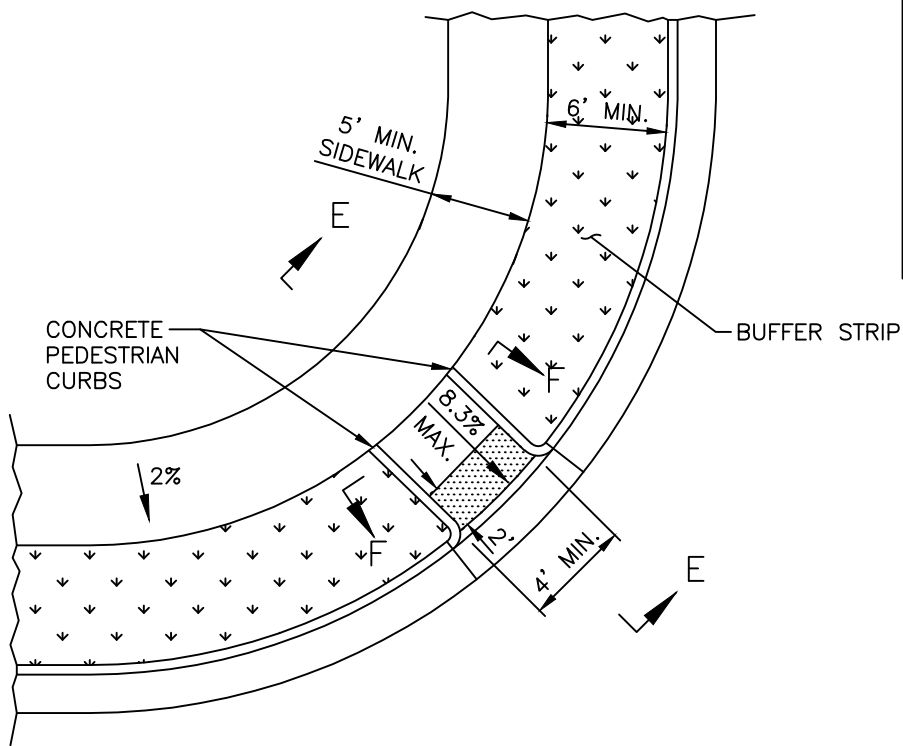
CITY of WESTMINSTER
4800 WEST 92ND AVENUE
WESTMINSTER, COLO. 80031

CURB RAMP
TYPE 2B AND 2C

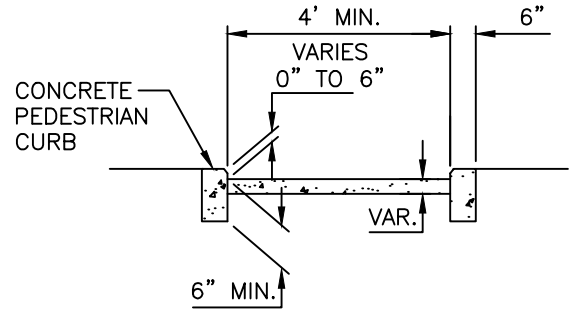
DATE: MARCH 2022

R14

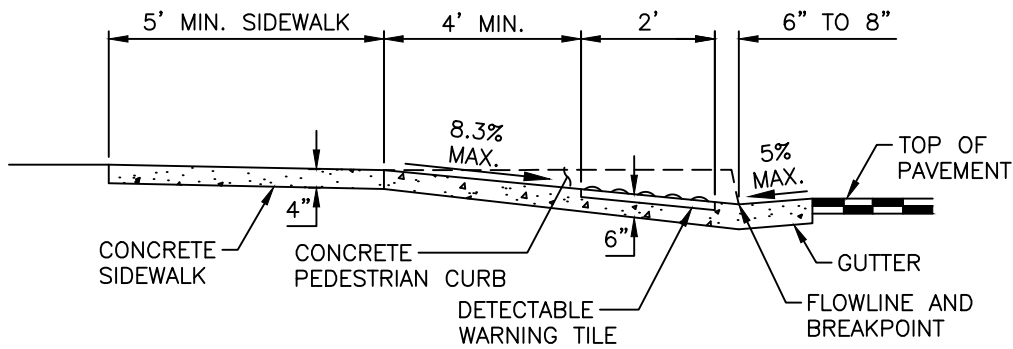
NOTE: CURB RAMP TYPE 3A (APEX RAMP) IS NOT ALLOWED IN NEW CONSTRUCTION. SEE NOTE 8 ON SHEET R10.



CURB RAMP TYPE 3A



SECTION F-F



SECTION E-E

NOT TO SCALE

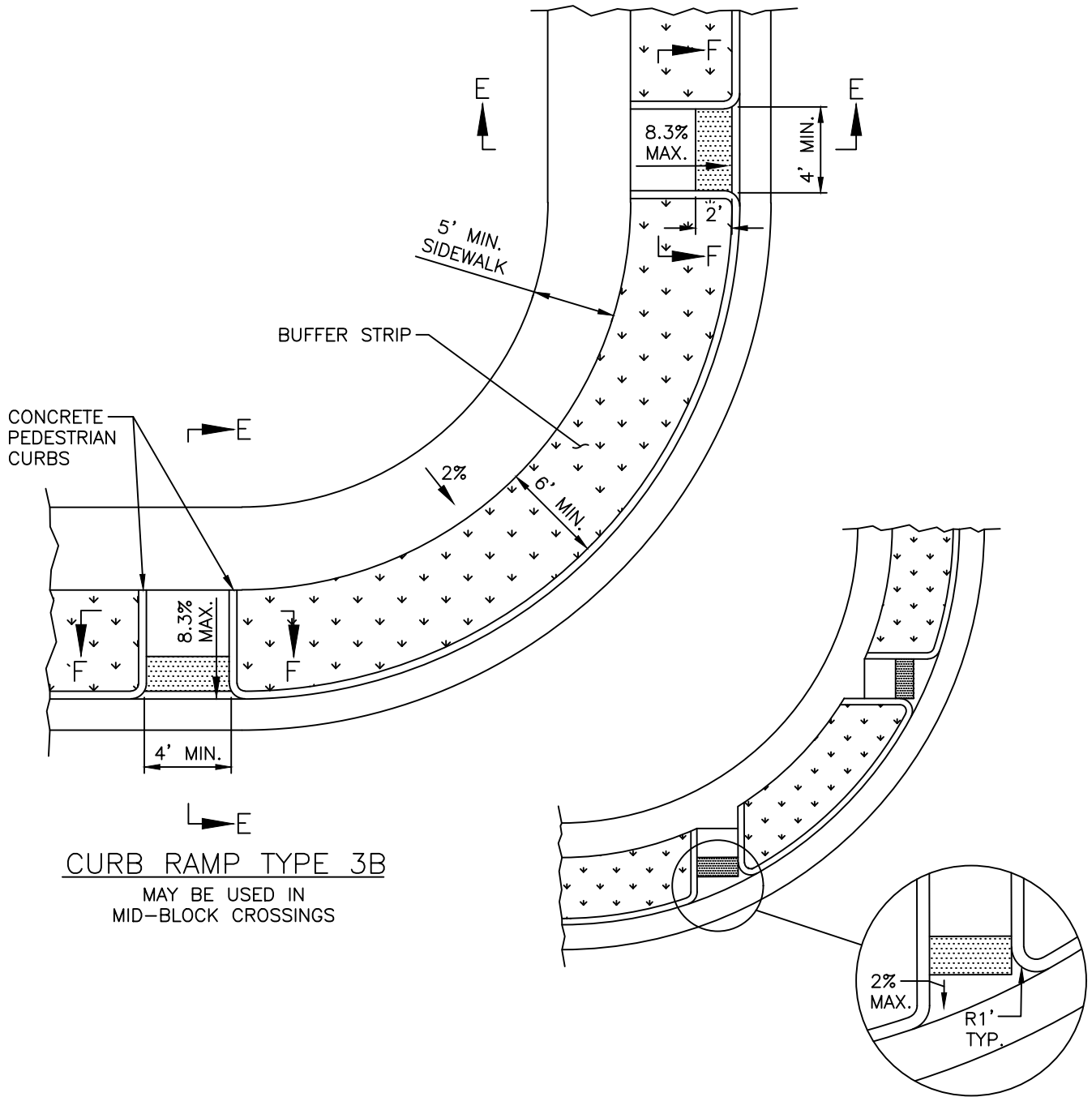


CITY of WESTMINSTER
 4800 WEST 92ND AVENUE
 WESTMINSTER, COLO. 80031

CURB RAMP
 TYPE 3A

DATE: MARCH 2022

R15



CURB RAMP TYPE 3B

MAY BE USED IN
MID-BLOCK CROSSINGS

SEE SHEET R15 FOR
SECTIONS E-E AND F-F

CURB RAMP TYPE 3B MODIFIED

SEE DETECTABLE WARNING
PLACEMENT GUIDE DETAIL
ON SHEET 19.

NOT TO SCALE

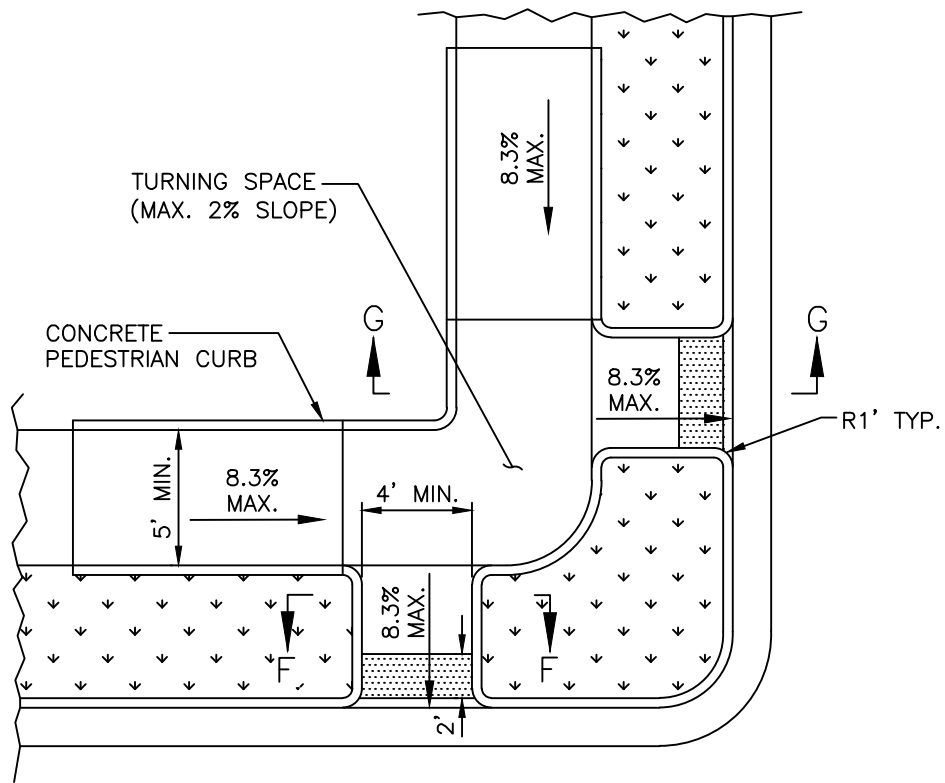


CITY of WESTMINSTER
4800 WEST 92ND AVENUE
WESTMINSTER, COLO. 80031

**CURB RAMP
TYPE 3B**

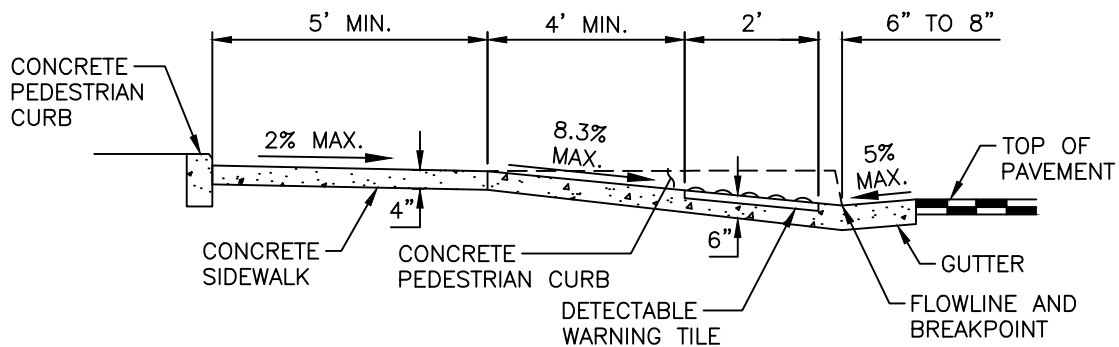
DATE: MARCH 2022

R16



CURB RAMP TYPE 3C (COMBINATION)

SEE SHEET R15 FOR
SECTION F-F



SECTION G-G

NOT TO SCALE

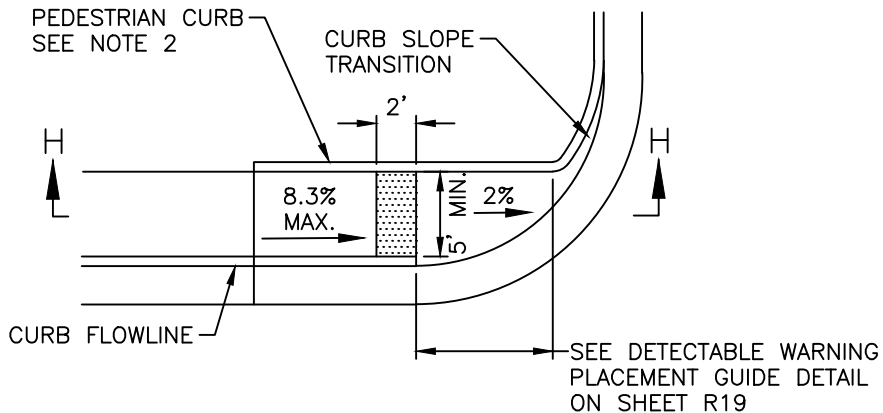


CITY of WESTMINSTER
4800 WEST 92ND AVENUE
WESTMINSTER, COLO. 80031

**CURB RAMP
TYPE 3C**

DATE: MARCH 2022

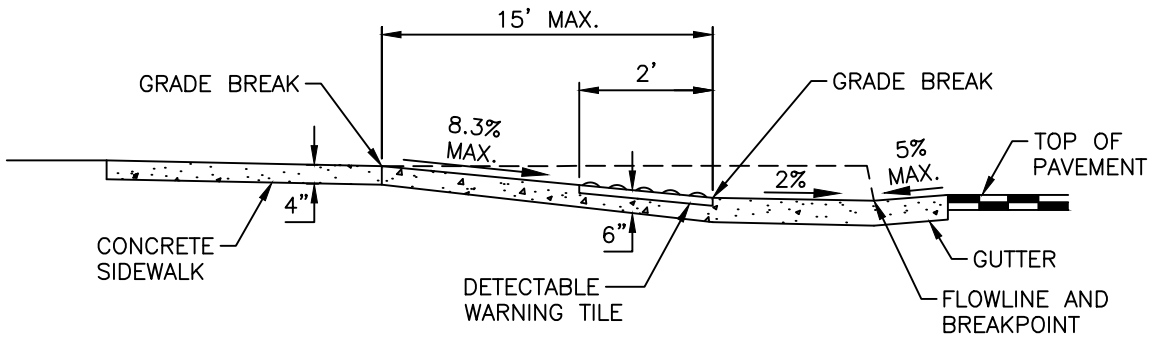
R17



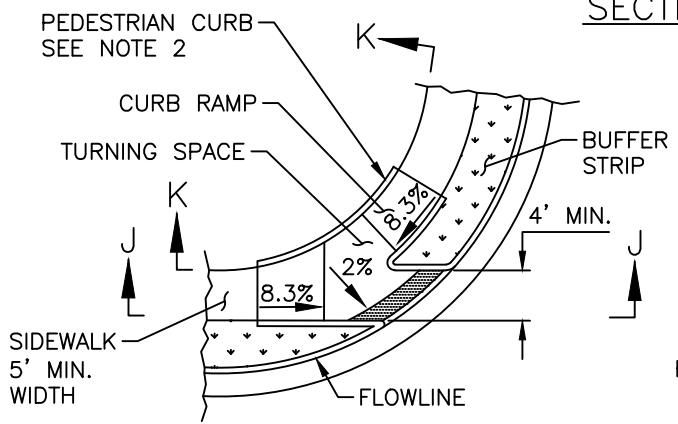
CURB RAMP TYPE 4A

NOTES:

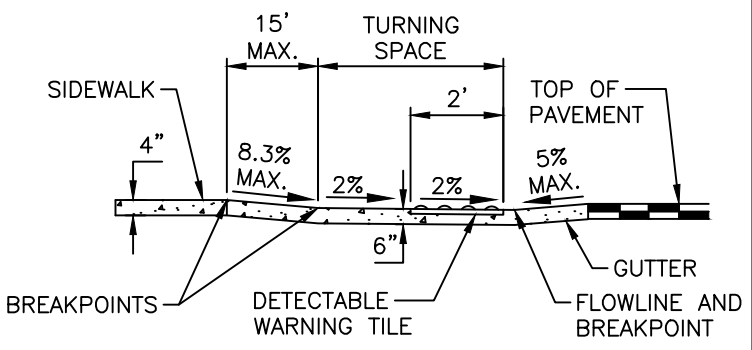
1. CURB RAMP TYPE 4B IS FOR USE WHERE PEDESTRIAN CROSSING IS IN ONE DIRECTION ONLY.
2. THE PEDESTRIAN CURB MAY BE OMITTED IF THE GROUND SURFACE AT THE BACK OF THE CURB RAMP OR LANDING IS THE SAME ELEVATION AS THE CURB RAMP OR LANDING AND THERE IS NO MATERIAL TO RETAIN.
3. RAMP GRADE BREAKS SHALL BE PERPENDICULAR TO THE RUNNING SLOPE.



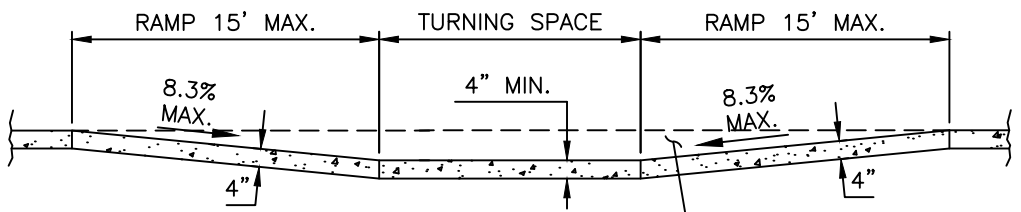
SECTION H-H



CURB RAMP TYPE 4B



SECTION J-J



SECTION K-K

NOT TO SCALE

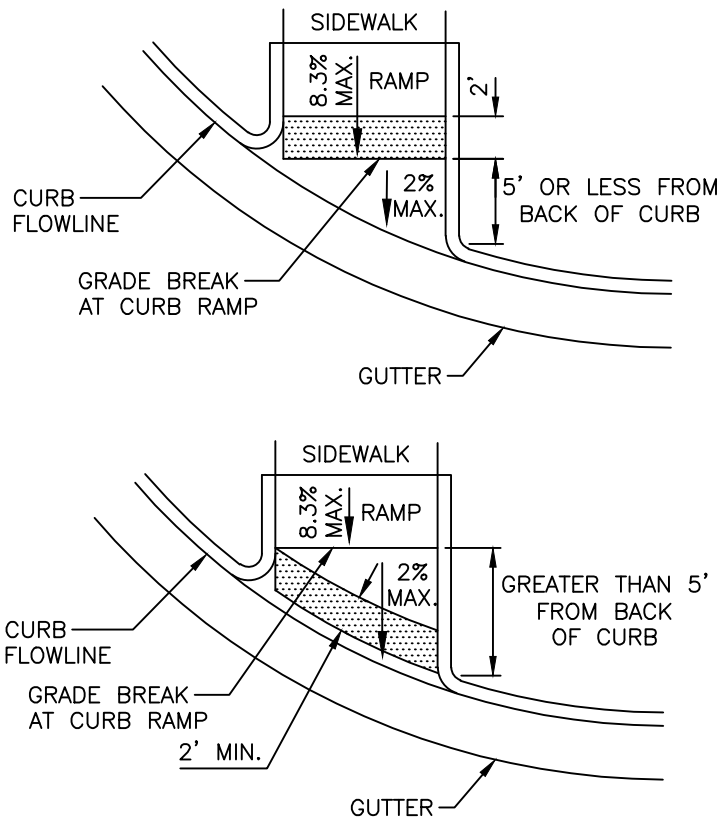


CITY of WESTMINSTER
 4800 WEST 92ND AVENUE
 WESTMINSTER, COLO. 80031

CURB RAMP
TYPE 4A AND 4B

DATE: MARCH 2022

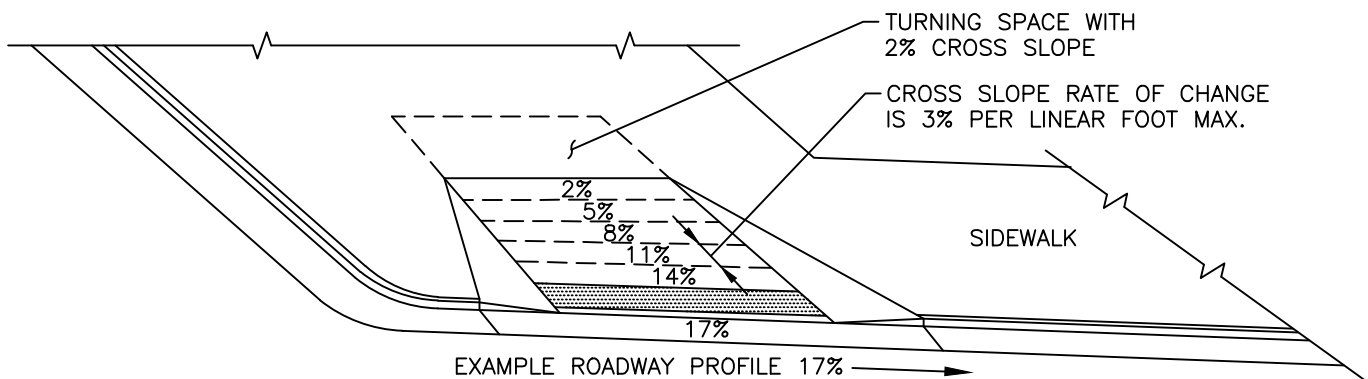
R18



NOTES:

1. THE DETECTABLE WARNING TILE SHALL BE EMBEDDED IN THE CONCRETE CURB RAMP WHILE CONCRETE IS PLASTIC.
2. THE DETECTABLE WARNING TILE TO BE USED SHALL MEET REQUIREMENTS OF WESTMINSTER STANDARDS AND SPECIFICATIONS SECTION 6.75.
3. WHEN THE DETECTABLE WARNING TILE IS CUT, GRIND OFF THE REMAINING PORTION OF ANY CUT DOMES. SEAL ALL CUT PANEL EDGES WITH A SEALANT TO PREVENT WATER DAMAGE.
4. THE DETECTABLE WARNING SURFACE SHALL SPAN THE ENTIRE WIDTH OF THE RAMP. IF CONDITIONS DO NOT ALLOW THE ENTIRE SPAN, THE DETECTABLE WARNING SURFACE SPAN SHALL NOT BE MORE THAN 2 INCHES AWAY FROM EACH SIDE OF RAMP.
5. TRUNCATED DOME PAVER BRICKS SHALL BE USED ONLY ON DOWNTOWN STYLE CURB RAMP AND ONLY WITH THE APPROVAL OF THE CITY ENGINEER. TRUNCATED DOME DIMENSIONS SHALL MEET THE REQUIREMENTS OF SECTION 6.75.07(C).

DETECTABLE WARNING PLACEMENT GUIDE



RAMP CROSS SLOPE TRANSITION TO ROADWAY PROFILE (APPLICABLE TO ALL CURB RAMP TYPES)

CURB RAMP CROSS SLOPES AND TURNING SPACES SHALL BE:

- A. 2% MAX. WHEN A YIELD OR STOP CONTROL IS PRESENT.
- B. PERMITTED TO EQUAL THE ROADWAY GRADE WHEN THERE IS NO YIELD OR STOP CONTROL, WHEN A TRAFFIC SIGNAL IS PRESENT, OR AT A MIDBLOCK CROSSING LOCATION.

NOT TO SCALE

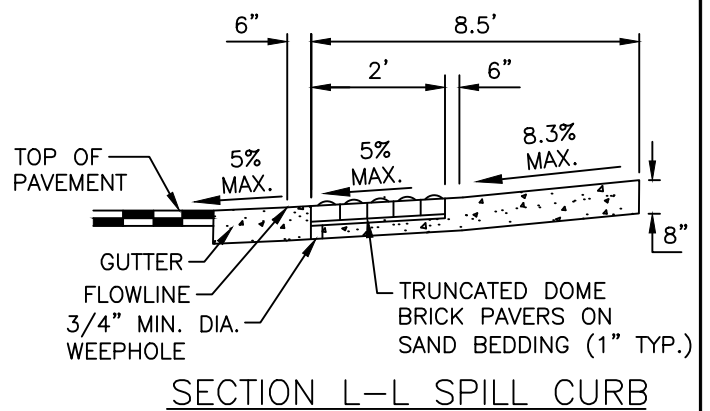
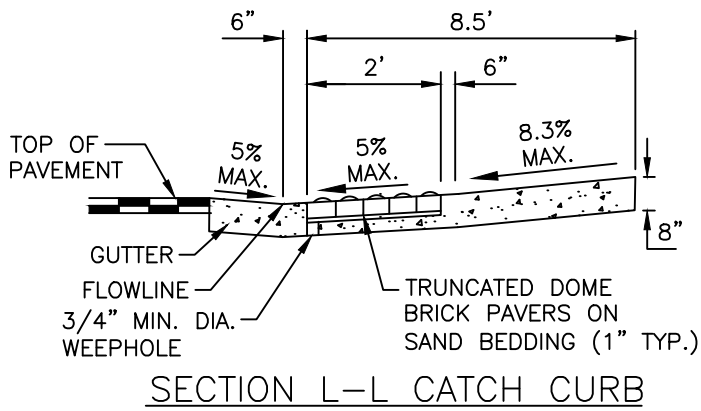


CITY of WESTMINSTER
4800 WEST 92ND AVENUE
WESTMINSTER, COLO. 80031

CURB RAMP
MISCELLANEOUS DETAILS

DATE: MARCH 2022

R19

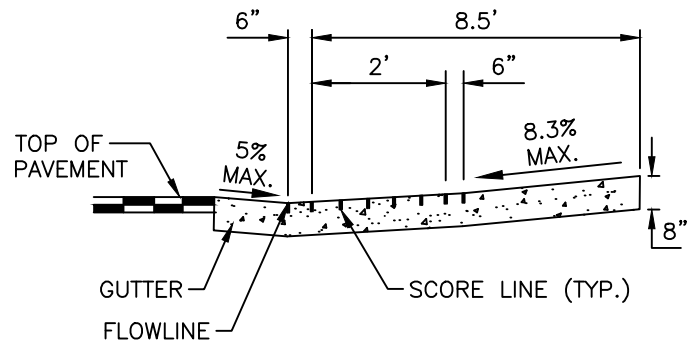


SECTION L-L CATCH CURB

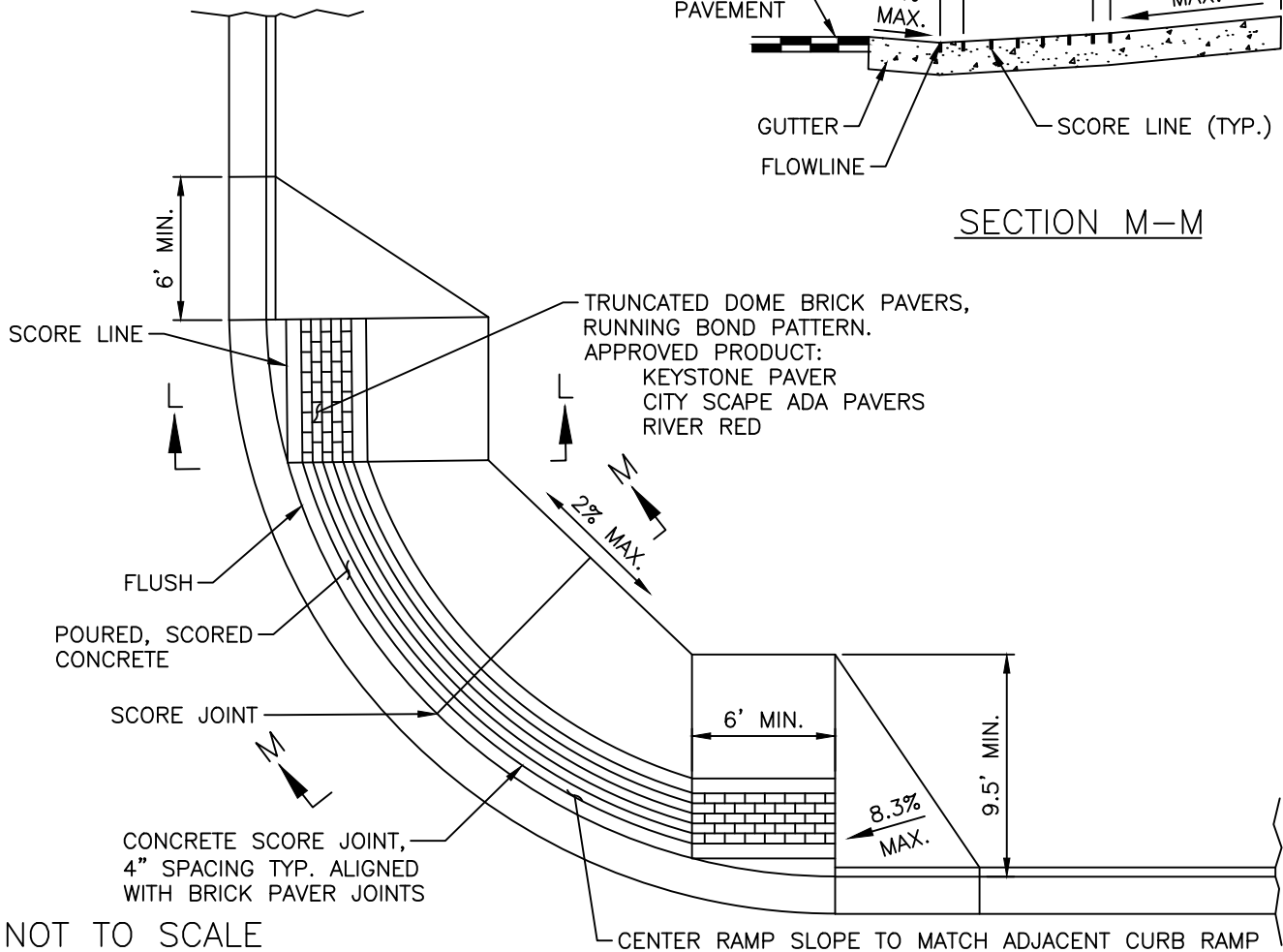
SECTION L-L SPILL CURB

NOTES:

1. DOWNTOWN CURB RAMPS SHALL BE USED ONLY AT LOCATIONS APPROVED BY THE CITY ENGINEER.
2. REFER TO SECTION 6.20.00 AND SECTION 6.75.00 OF THE CITY STANDARDS AND SPECIFICATIONS FOR MORE INFORMATION ON TRUNCATED DOMES.



SECTION M-M



NOT TO SCALE

CENTER RAMP SLOPE TO MATCH ADJACENT CURB RAMP

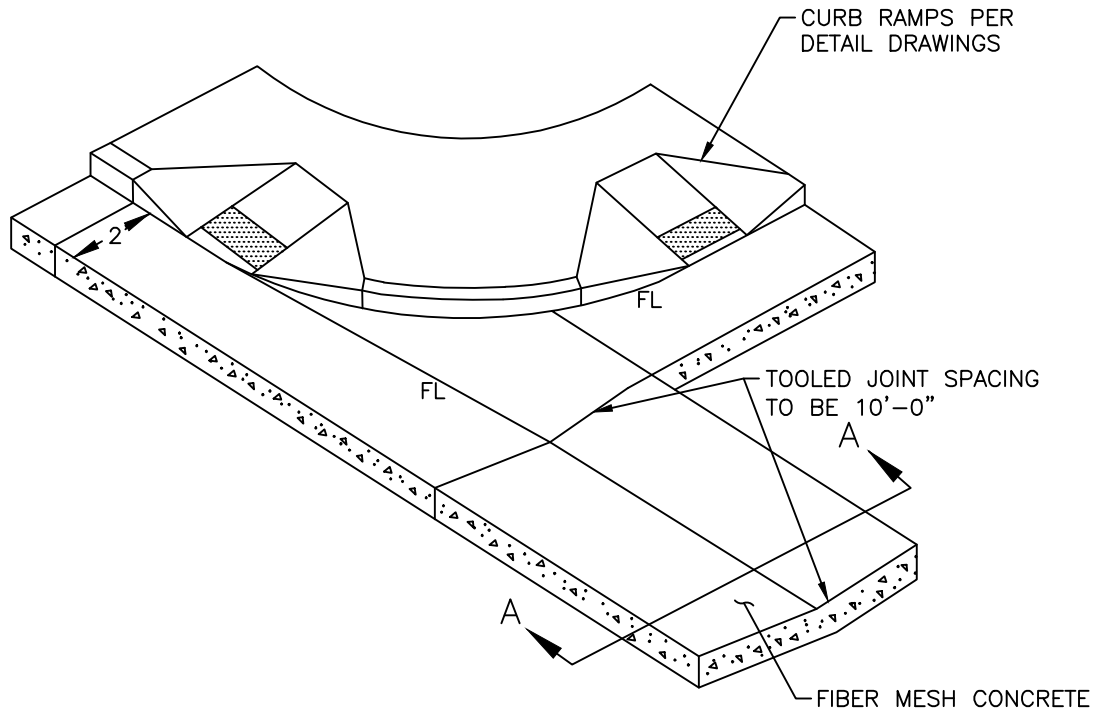


CITY of WESTMINSTER
 4800 WEST 92ND AVENUE
 WESTMINSTER, COLO. 80031

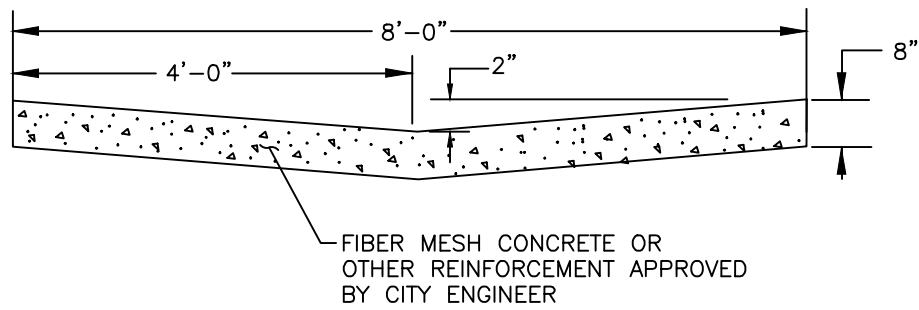
DOWNTOWN
 CURB RAMP

DATE: MARCH 2022

R19A



CURB, GUTTER & WALK



SECTION A-A

N.T.S.



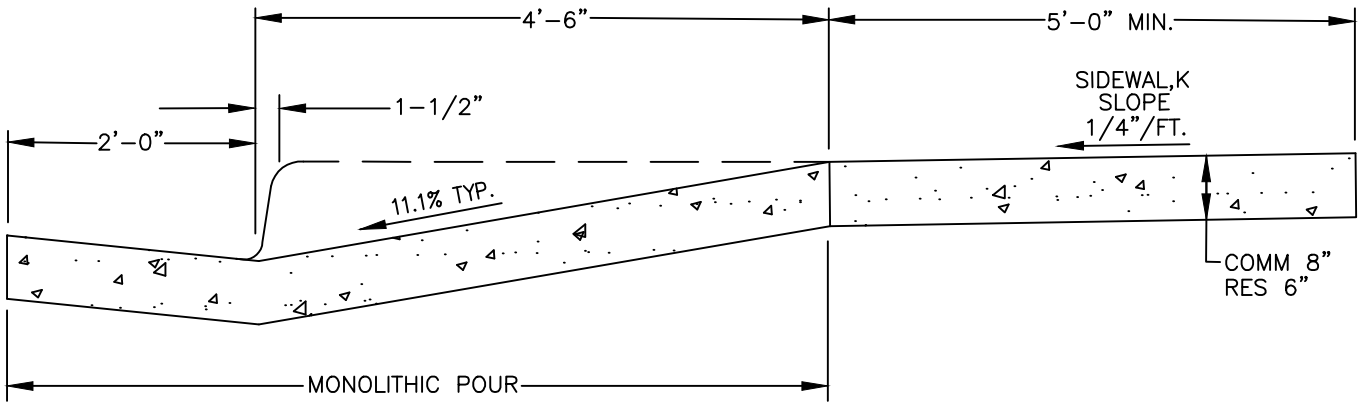
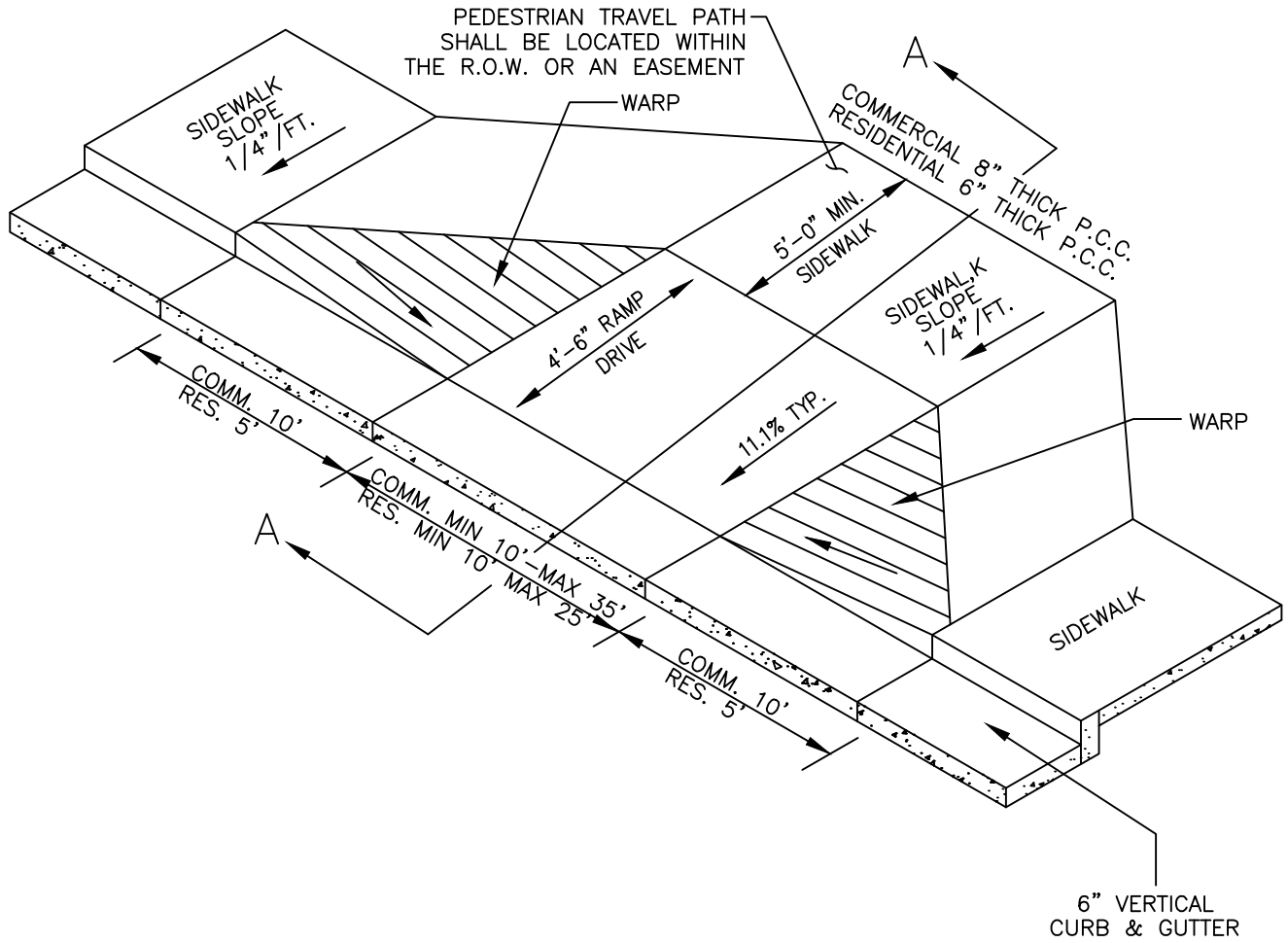
CITY of WESTMINSTER
 4800 WEST 92ND AVENUE
 WESTMINSTER, COLO. 80031

**CURB RAMP
 WITH CROSS PAN
 BARRIER CURB**

DATE: MARCH 2022

R20

NOTE:
CONTRACTION JOINTS ARE REQUIRED AT EACH
SIDE OF WARPED SECTION AND EVERY 10' (MAX)
ALONG THE DRIVEWAY.



SECTION A-A

N.T.S.

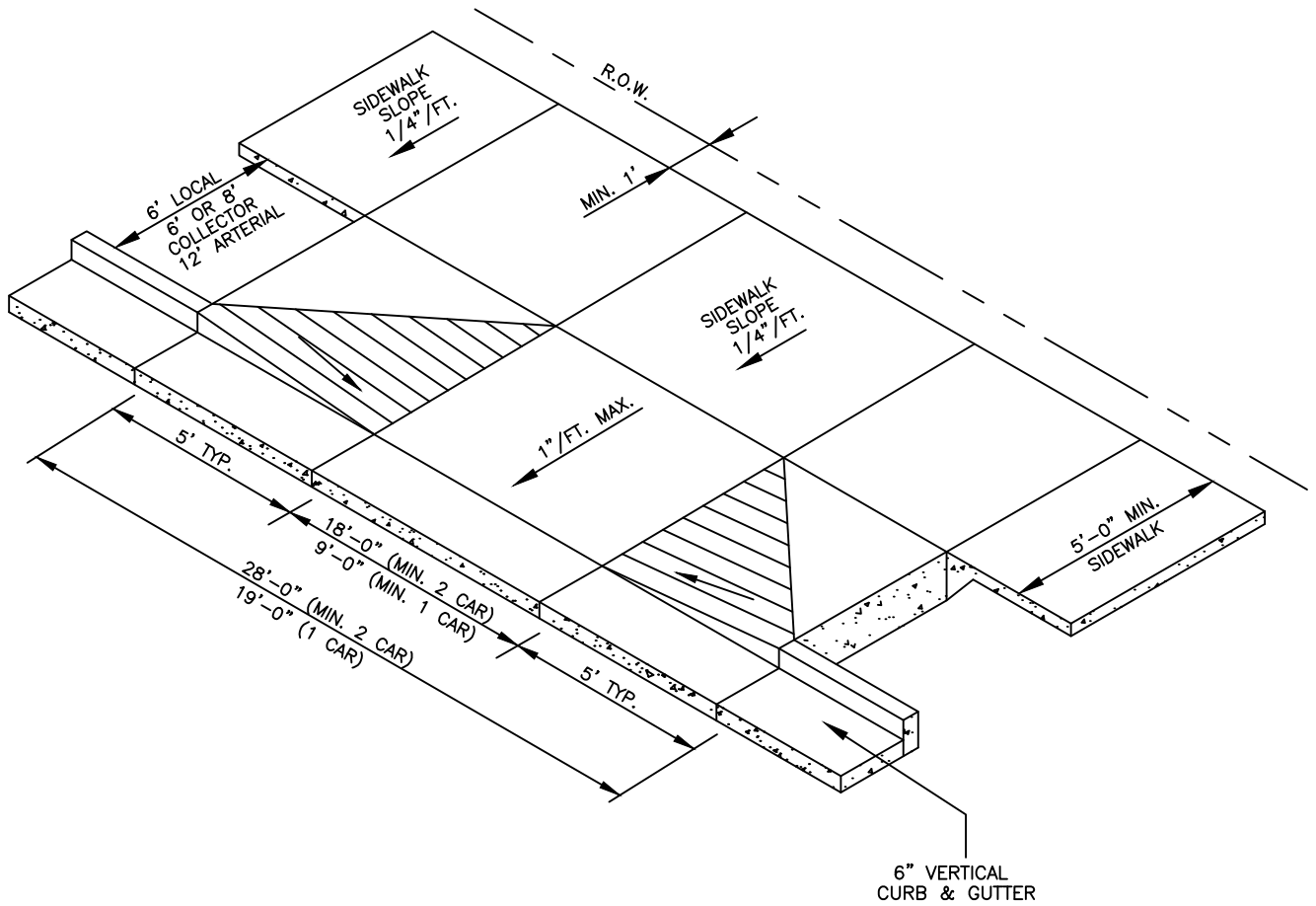


CITY of WESTMINSTER
4800 WEST 92ND AVENUE
WESTMINSTER, COLO. 80031

RAMP DRIVE FOR
VERTICAL CURB
ATTACHED WALK

DATE: MARCH 2022

R21



N.T.S.

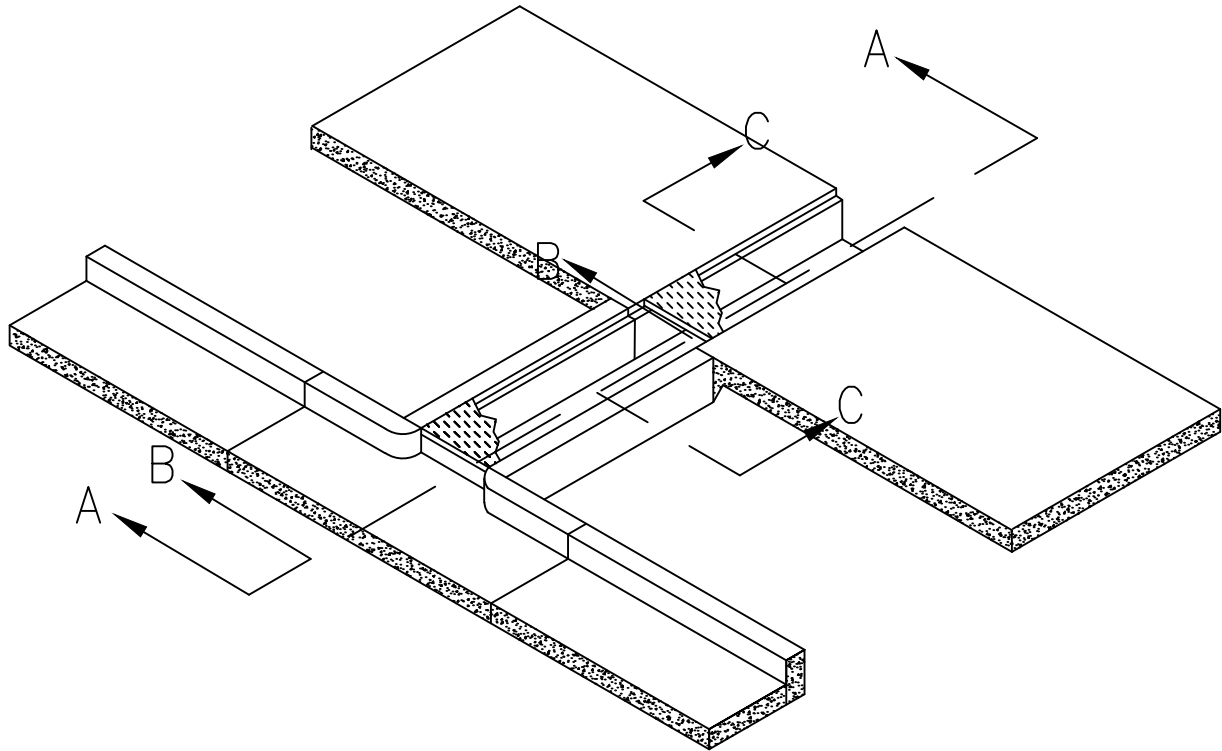


CITY of WESTMINSTER
 4800 WEST 92ND AVENUE
 WESTMINSTER, COLO. 80031

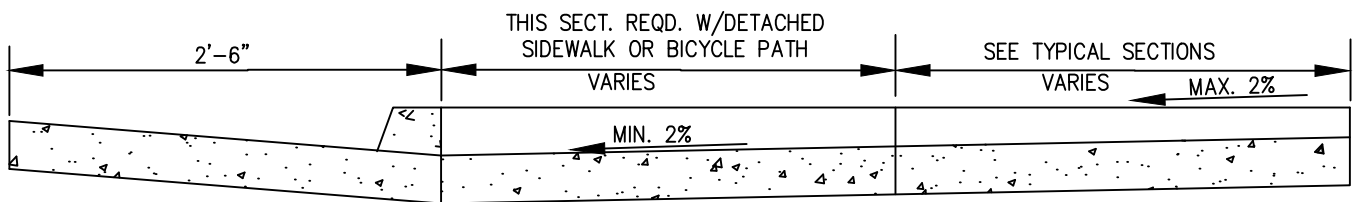
RAMP DRIVE FOR
 VERTICAL CURB &
 DETACHED WALK

DATE: MARCH 2022

R22



CHASE DRAIN



SECTION A-A

N.T.S.

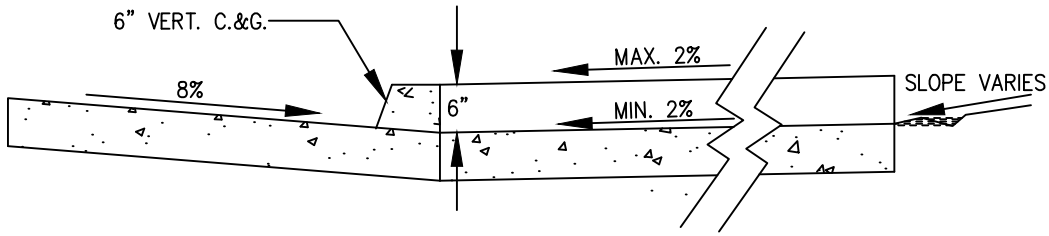


CITY of WESTMINSTER
 4800 WEST 92ND AVENUE
 WESTMINSTER, COLO. 80031

**STANDARD SIDEWALK
 CHASE DETAIL**

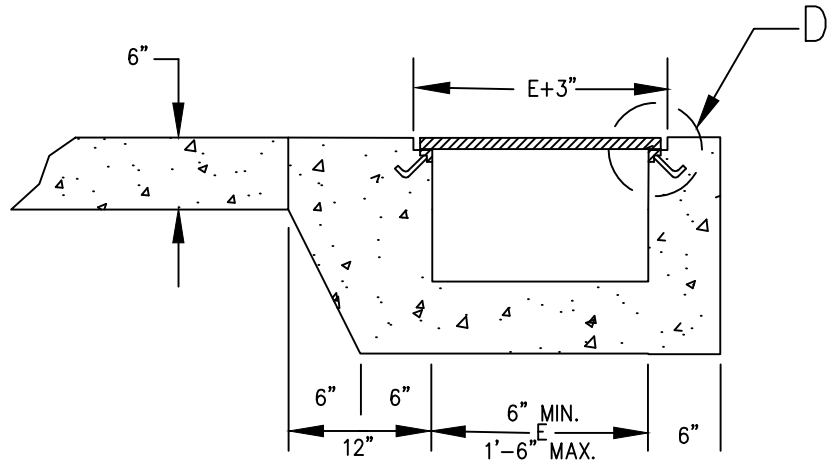
DATE: MARCH 2022

R23



SECTION B-B

SECTION C-C



1/4" STEEL PLATE
NON SLIP RAISED PATTERN

PLATE FLUSH WITH
TOP OF WALK

3/16" CLEARANCE

1/2"

DETAIL D

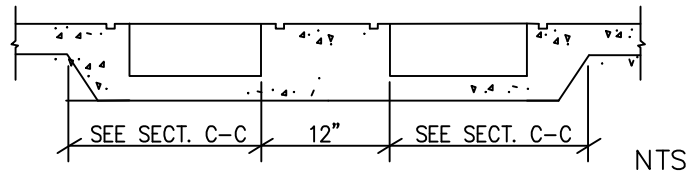
11/2"x11/2"x1/4" ANGLE IRON
DRILLED & TAPED FOR
1/4" MACHINE SCREWS

1/4"x3/4" F.H. MACHINE SCREWS
@ 2'4" O.C. COUNTER SINK FLUSH
WITH PLATE

6" #3 REBAR (4" LONG
W/ 2" HOOK), WELD TO
ANGLE 18" O.C.

MULTIPLE CHASE

MAXIMUM 2 CHASES



CITY of WESTMINSTER
4800 WEST 92ND AVENUE
WESTMINSTER, COLO. 80031

CHASE DRAIN
DETAILS

DATE: MARCH 2022

R24

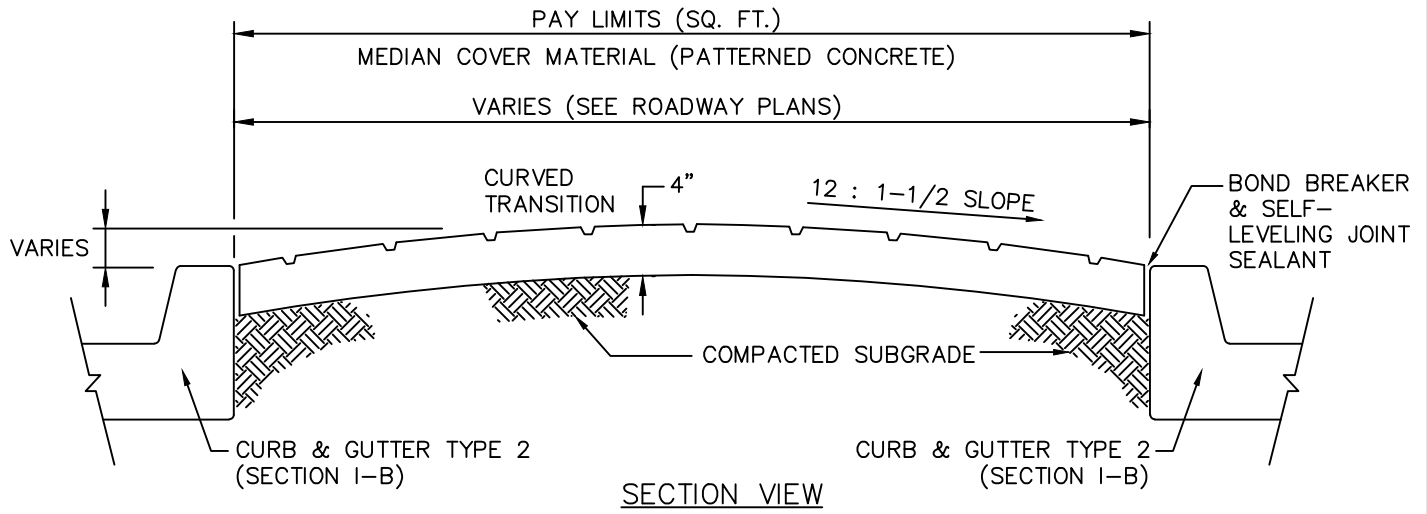


CITY of WESTMINSTER
4800 WEST 92ND AVENUE
WESTMINSTER, COLO. 80031

RESERVED FOR
FUTURE USE

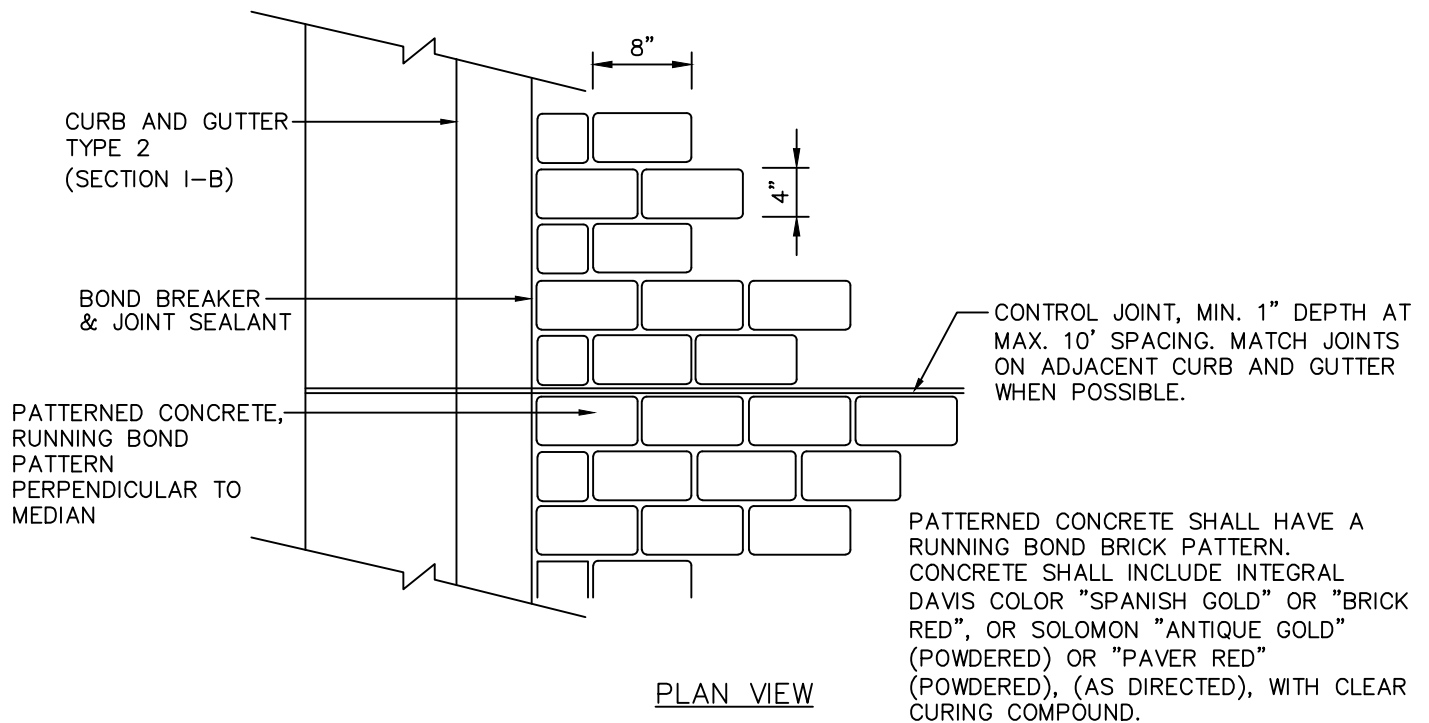
DATE: MARCH 2022

R25



SECTION VIEW

PLACE BOND BREAKER AND JOINT SEALANT IN JOINT BETWEEN PATTERNED CONCRETE AND ABUTTING CURB. BOND BREAKER SHALL BE 4-MIL TO 6-MIL PLASTIC SHEETING AND SHALL BE INCLUDED IN THE COST OF THE MEDIAN COVER.



PLAN VIEW

PATTERNED CONCRETE SHALL HAVE A RUNNING BOND BRICK PATTERN. CONCRETE SHALL INCLUDE INTEGRAL DAVIS COLOR "SPANISH GOLD" OR "BRICK RED", OR SOLOMON "ANTIQUÉ GOLD" (POWDERED) OR "PAVER RED" (POWDERED), (AS DIRECTED), WITH CLEAR CURING COMPOUND.

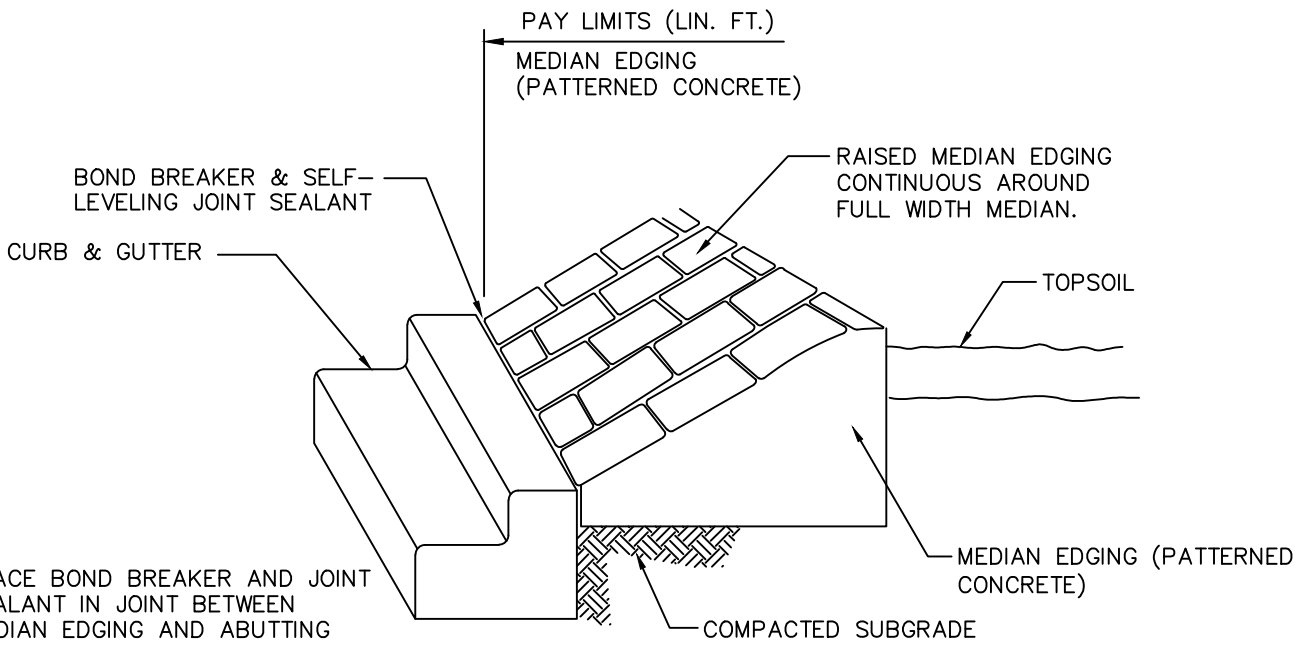


CITY of WESTMINSTER
 4800 WEST 92ND AVENUE
 WESTMINSTER, COLO. 80031

MEDIAN COVER MATERIAL
 (PATTERNED CONCRETE)

DATE: MARCH 2022

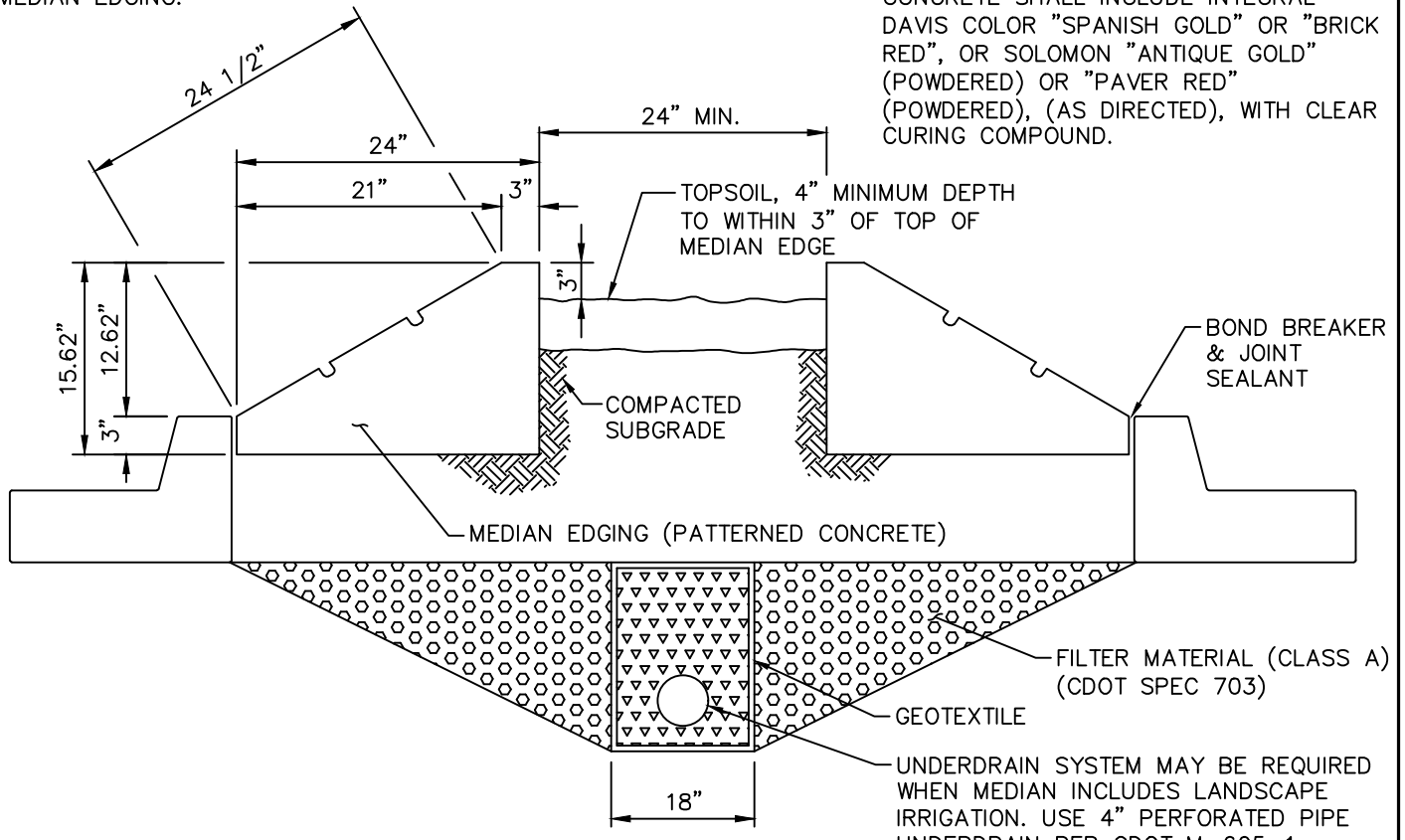
R26



PLACE BOND BREAKER AND JOINT SEALANT IN JOINT BETWEEN MEDIAN EDGING AND ABUTTING CURB. BOND BREAKER SHALL BE 4-MIL TO 6-MIL PLASTIC SHEETING AND SHALL BE INCLUDED IN THE COST OF THE MEDIAN EDGING.

ISOMETRIC VIEW

MEDIAN EDGING SHALL HAVE A RUNNING BOND BRICK PATTERN AS SHOWN ON THE MEDIAN COVER MATERIAL DRAWING. CONCRETE SHALL INCLUDE INTEGRAL DAVIS COLOR "SPANISH GOLD" OR "BRICK RED", OR SOLOMON "ANTIQUE GOLD" (POWDERED) OR "PAVER RED" (POWDERED), (AS DIRECTED), WITH CLEAR CURING COMPOUND.



SECTION VIEW

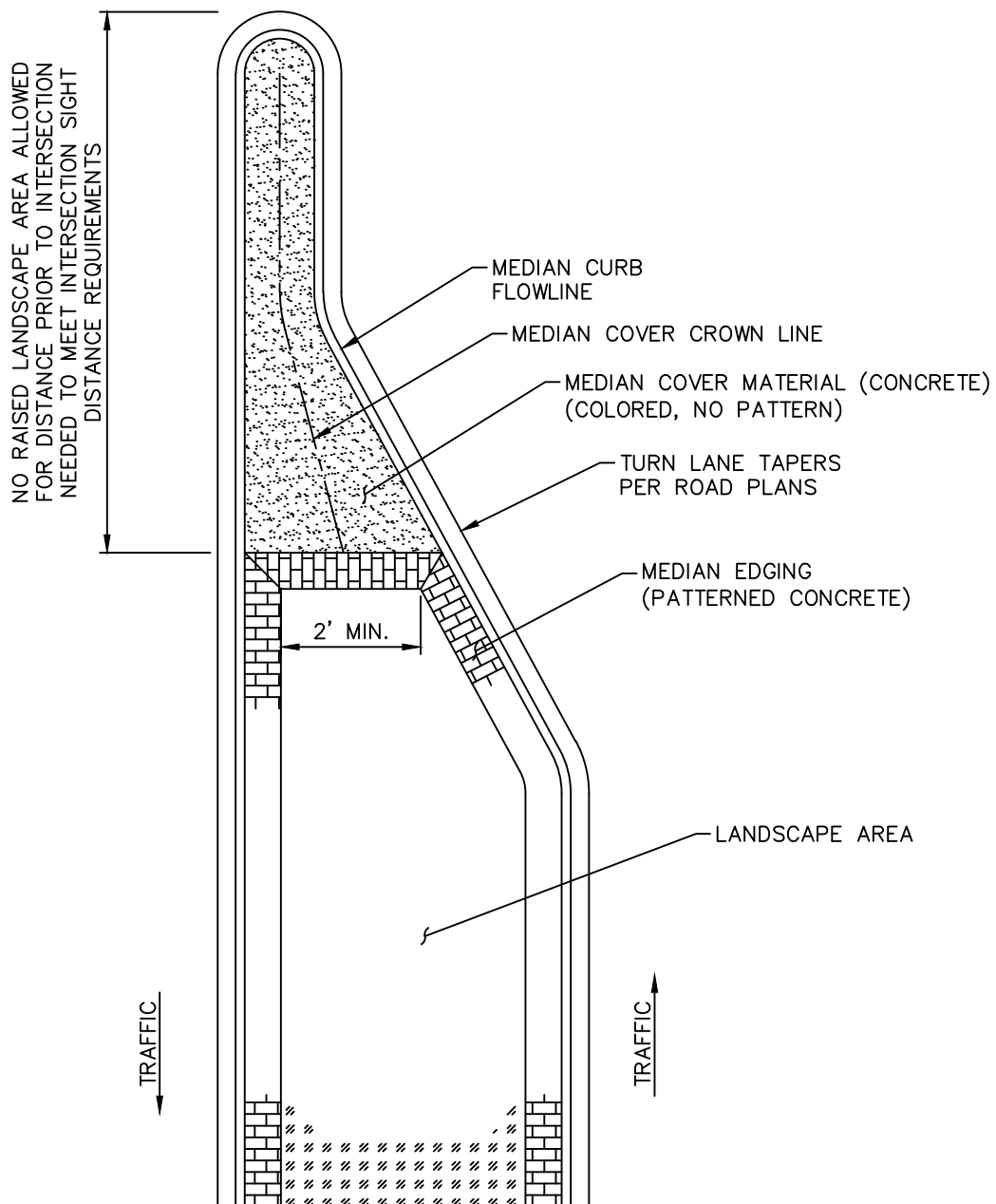


CITY of WESTMINSTER
 4800 WEST 92ND AVENUE
 WESTMINSTER, COLO. 80031

MEDIAN EDGING
 (PATTERNED CONCRETE)

DATE: MARCH 2022

R27



PLAN VIEW
NOT TO SCALE

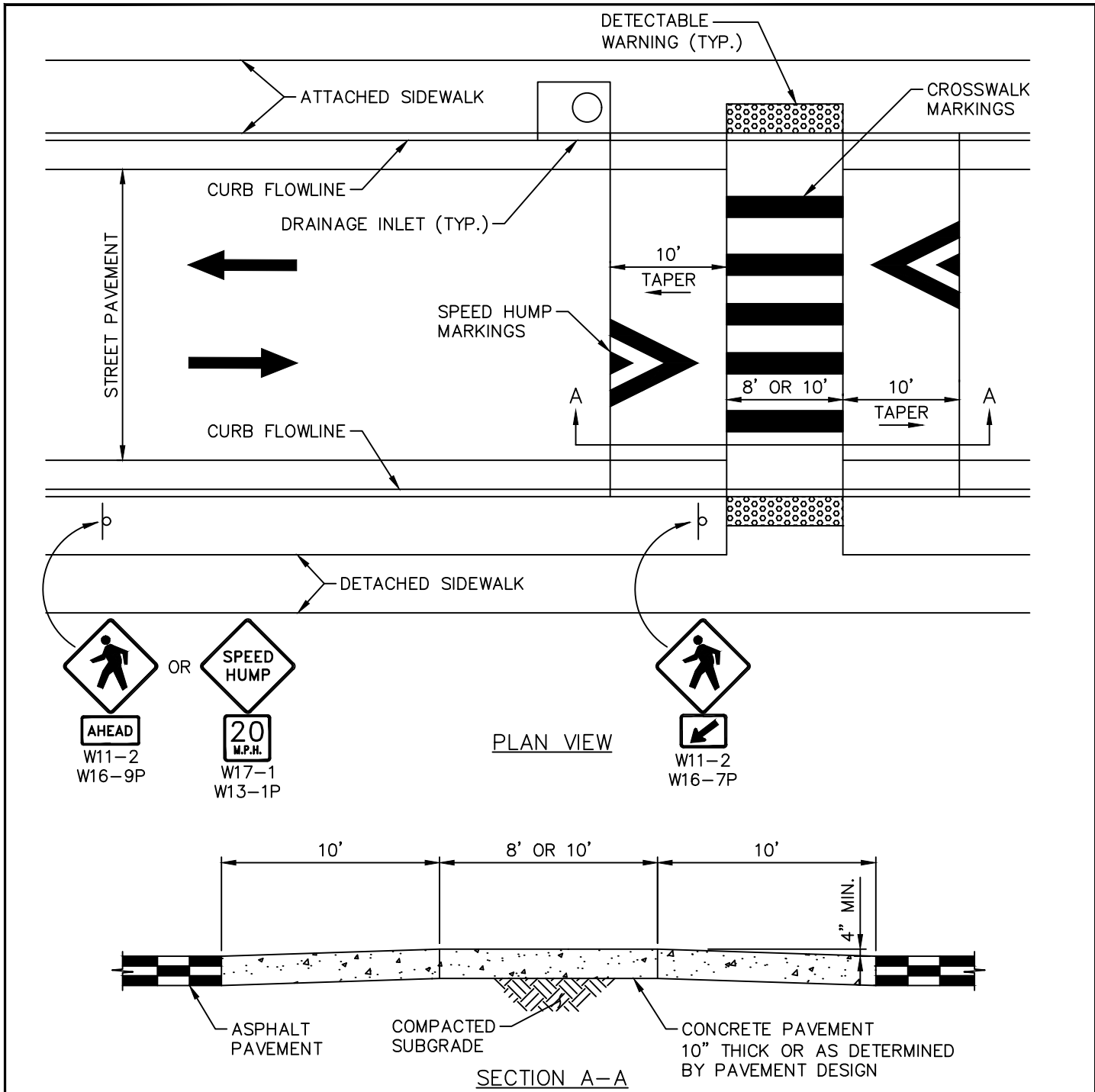


CITY of WESTMINSTER
4800 WEST 92ND AVENUE
WESTMINSTER, COLO. 80031

MEDIAN COVER
TRANSITIONS

DATE: MARCH 2022

R28



NOTES:

1. IF STORM SEWER IS PRESENT, INLETS MAY BE INSTALLED IF REQUIRED FOR DRAINAGE ON THE UPHILL SIDE OF THE RAISED CROSSWALK.
2. RAISED CROSSWALK SHALL UTILIZE SIGNAGE, SPEED HUMP MARKINGS AND CROSSWALK MARKINGS PER THE MUTCD.

NOT TO SCALE

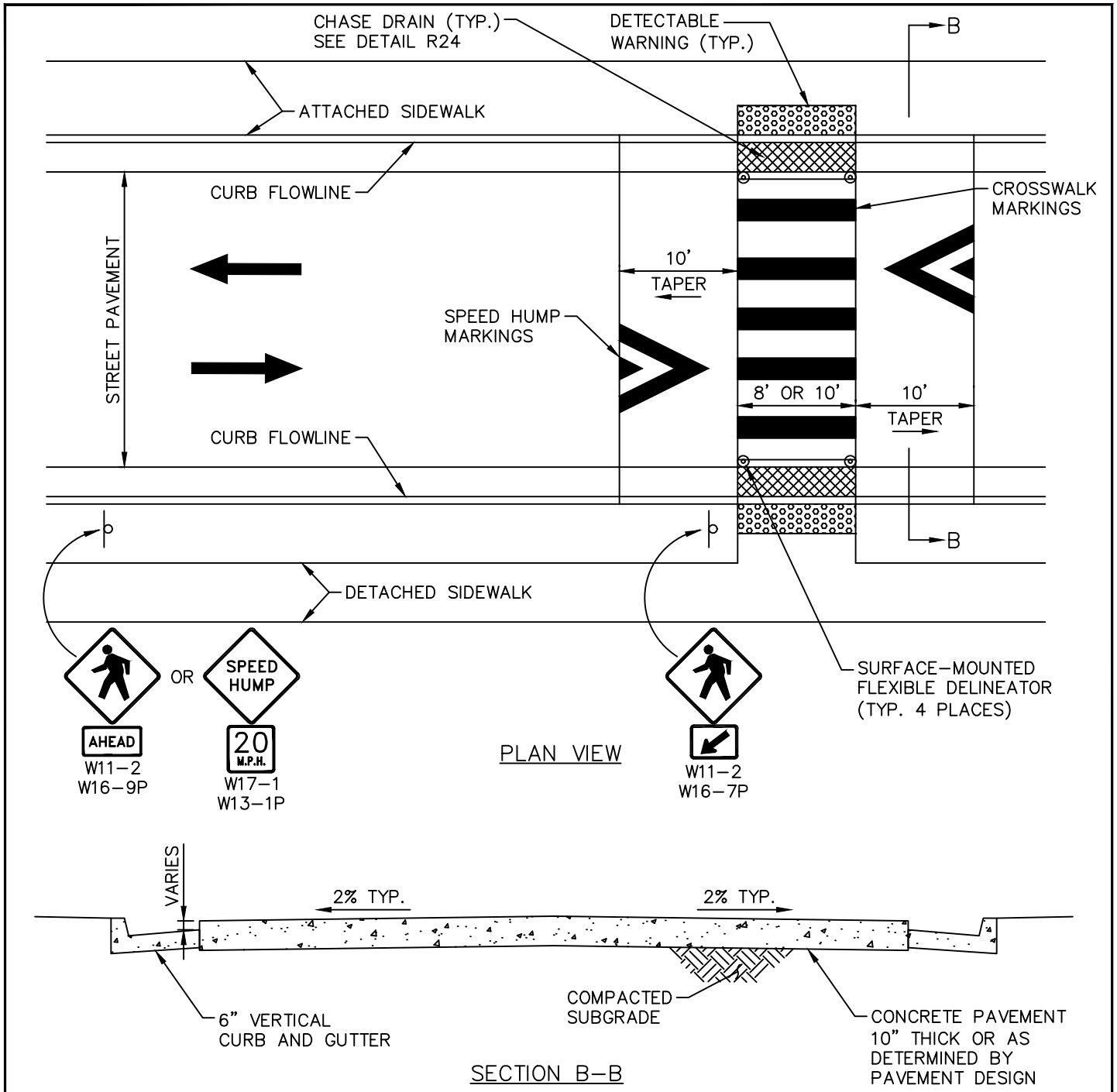


CITY of WESTMINSTER
 4800 WEST 92ND AVENUE
 WESTMINSTER, COLO. 80031

**RAISED PEDESTRIAN
 CROSSWALK**

DATE: MARCH 2022

R29



NOTES:

1. IF STORM SEWER IS NOT PRESENT, CHASE DRAINS MY BE UTILIZED IF REQUIRED FOR DRAINAGE.
2. RAISED CROSSWALK SHALL UTILIZE SIGNAGE, SPEED HUMP MARKINGS AND CROSSWALK MARKINGS PER THE MUTCD.

NOT TO SCALE

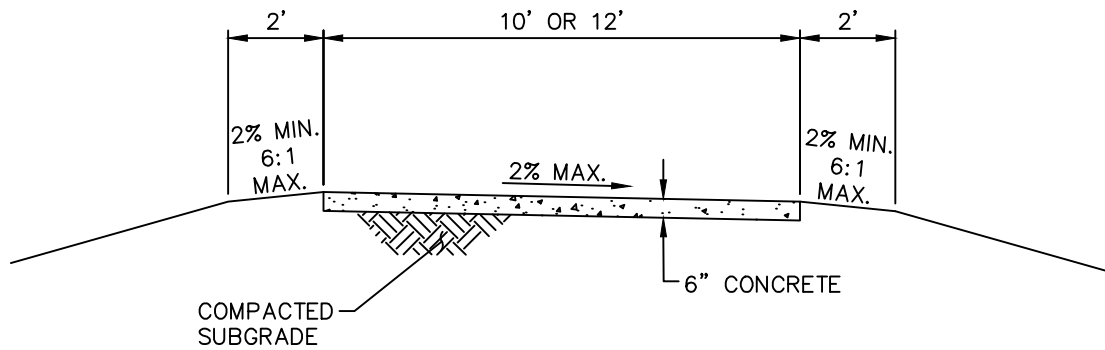


CITY of WESTMINSTER
4800 WEST 92ND AVENUE
WESTMINSTER, COLO. 80031

**RAISED PEDESTRIAN
CROSSWALK WITH CHASE**

DATE: MARCH 2022

R30



SHARED USE PATHS TYPICAL SECTION

NOT TO SCALE

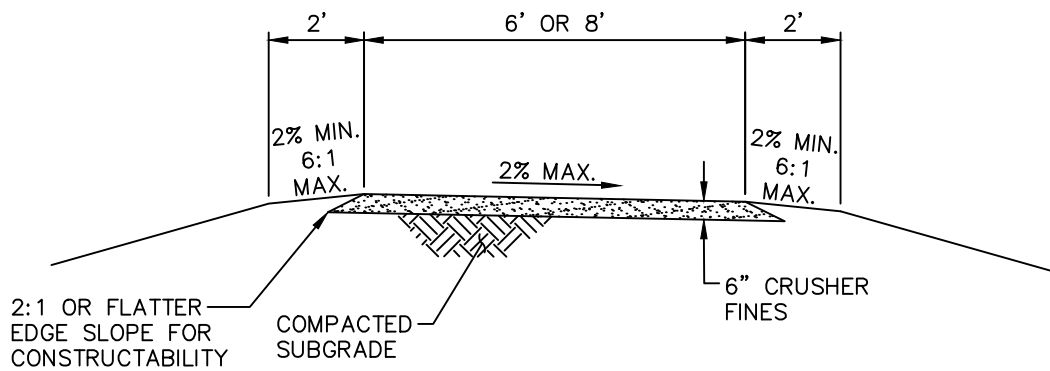


CITY of WESTMINSTER
 4800 WEST 92ND AVENUE
 WESTMINSTER, COLO. 80031

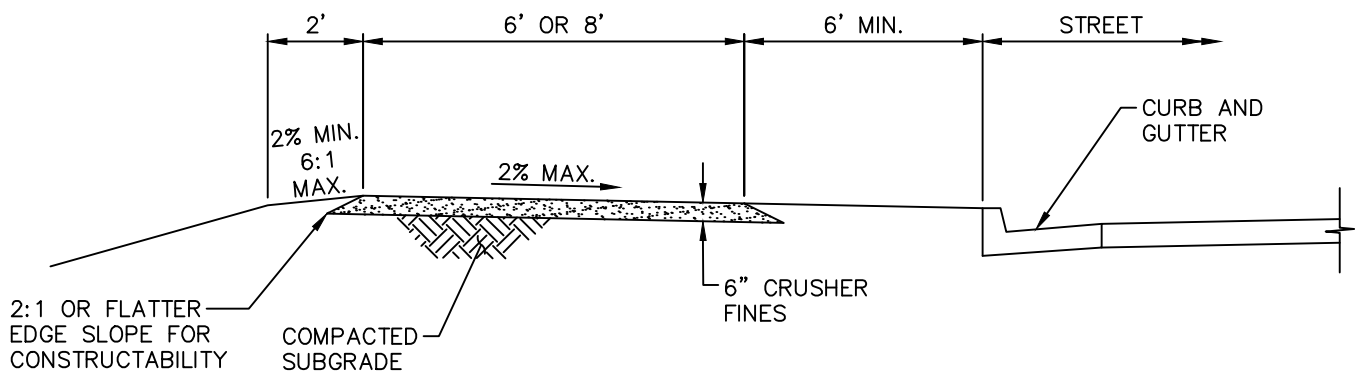
CONCRETE SHARED
 USE PATHS

DATE: MARCH 2022

R31



CRUSHER FINES TRAIL TYPICAL SECTION



CRUSHER FINES SIDEPATH TYPICAL SECTION

NOT TO SCALE

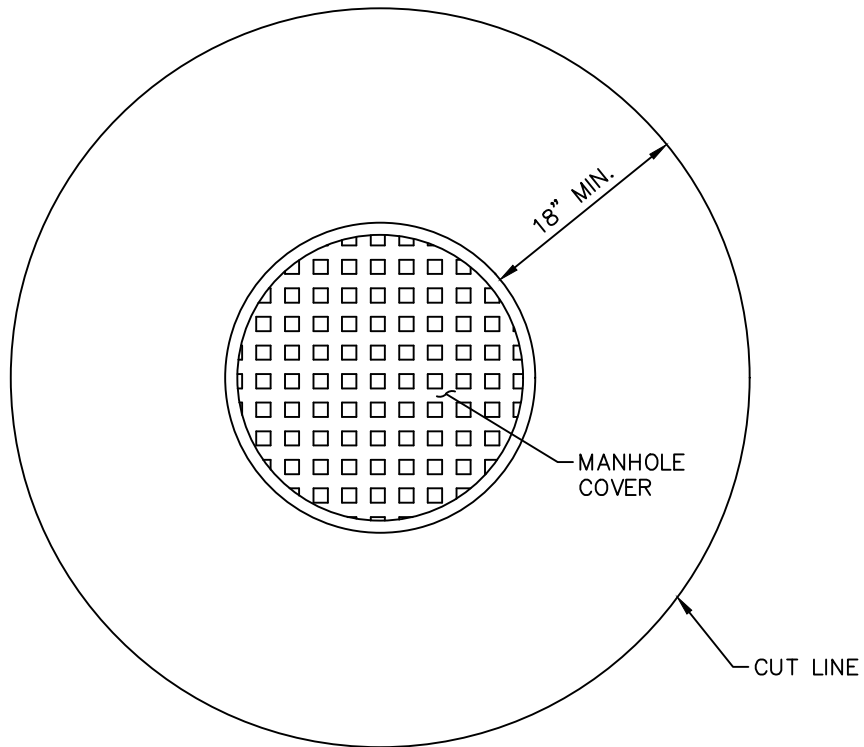


CITY of WESTMINSTER
 4800 WEST 92ND AVENUE
 WESTMINSTER, COLO. 80031

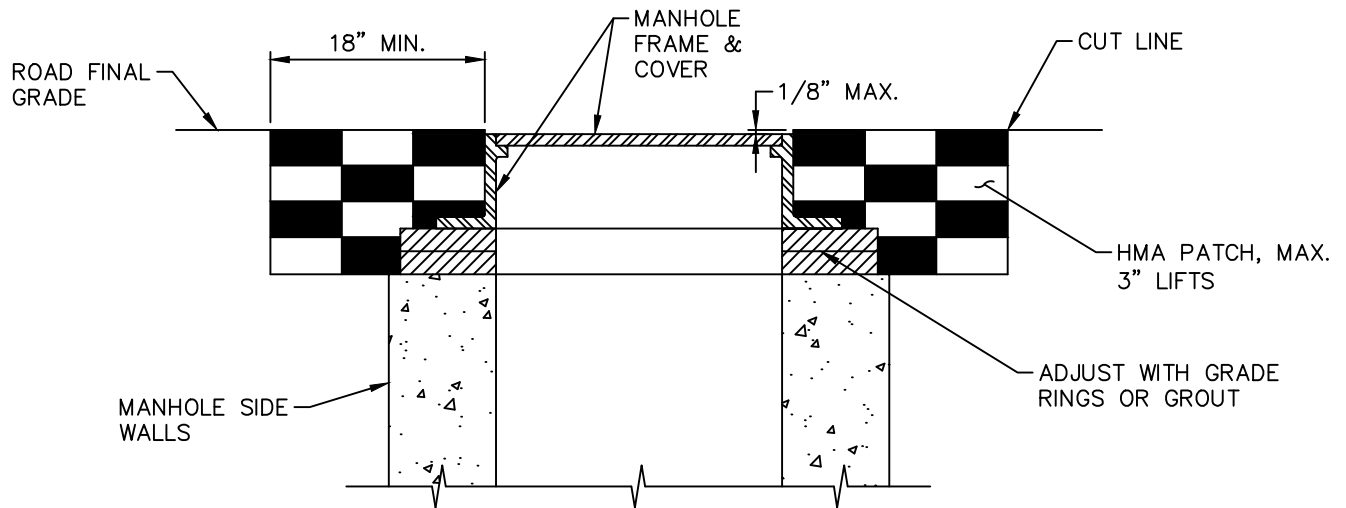
**CRUSHER FINES
 TRAILS**

DATE: MARCH 2022

R32



PLAN VIEW



SECTION VIEW

NOTES:

1. MANHOLE COVERS SHALL BE ADJUSTED TO BE 1/8" MAX. BELOW FINAL GRADE OF ROAD.
2. FINAL MANHOLE ADJUSTMENTS SHALL MATCH GRADE AND CROSS SLOPE OF ROAD AND NO PART OF THE MANHOLE SHALL BE HIGHER THAN THE ROAD SURFACE.
3. VALVE BOXES SHALL BE ADJUSTED WITH EACH LAYER OF PAVING.

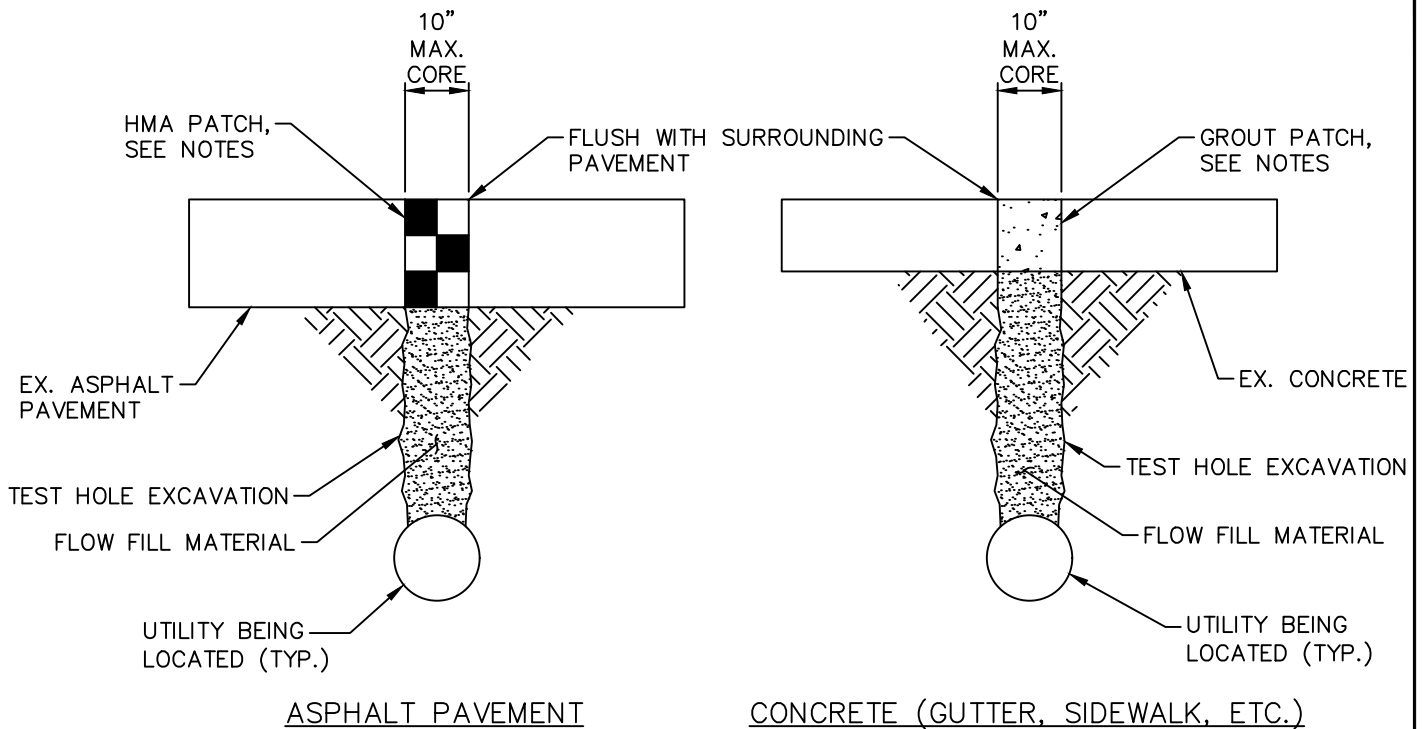


CITY of WESTMINSTER
 4800 WEST 92ND AVENUE
 WESTMINSTER, COLO. 80031

MANHOLE
 ADJUSTMENT

DATE: MARCH 2022

R33



SECTION VIEW

NOTES:

1. UTILITY TEST HOLES ("POTHOLES") SHALL BE LOCATED OUTSIDE OF TRAFFIC LANE WHEEL PATHS.
2. WHEN POSSIBLE, TEST HOLES SHALL BE LOCATED UNDER EXISTING PAVEMENT MARKINGS AND SUCH MARKING REPLACED IN KIND AT THE COMPLETION OF THE REPAIR TO CAMOUFLAGE THE PAVEMENT DISTURBANCE.
3. ALL TEST HOLES IN PAVED SURFACES SHALL BE CORED WITH A CIRCULAR CORING SAW WITH A 10" MAX. DIAMETER. THE PLUG SHALL BE CAREFULLY REMOVED WITHOUT CAUSING DAMAGE.
4. EXCAVATIONS FOR TEST HOLES SHALL BE BACKFILLED WITH FLOW FILL MATERIAL. NATIVE MATERIAL REMOVED SHALL NOT BE USED TO BACKFILL THE EXCAVATION.
5. THE REMOVED PAVEMENT SHALL BE REPLACED BY ONE OF THE FOLLOWING METHODS, AS DIRECTED BY THE CITY REPRESENTATIVE:
 - 5.1. ASPHALT SURFACE: PATCHED WITH HOT MIX ASPHALT OF SIMILAR AGGREGATE SIZE TO THE SURROUNDING PAVEMENT AND COMPACTED IN MAXIMUM 3" LIFTS WITH A COMPACTOR CAPABLE OF FITTING INTO THE CORE HOLE SUCH THAT THE SURFACE IS FLUSH WITH THE SURROUNDING PAVEMENT. AT THE CITY REPRESENTATIVE'S DISCRETION, LOCALIZED INFRARED TREATMENT MAY BE REQUIRED TO BLEND THE TOP MAT OF THE ASPHALT TOGETHER. REGARDLESS OF THE EXISTING PAVEMENT THICKNESS, HMA PATCHING REPAIRS SHALL PROVIDE A MINIMUM THICKNESS OF:
 - 5.1.1. ARTERIAL STREET: 9"
 - 5.1.2. COLLECTOR STREET: 7"
 - 5.1.3. LOCAL STREET: 5"
 - 5.2. CONCRETE: THE FULL DEPTH SECTION OR THE TOP 3" OF PAVEMENT OF THE REMOVED ORIGINAL CORE SHALL BE REPLACED AND GROUTED WITH A HIGH STRENGTH, QUICK SET EPOXY OR MORTAR, AS APPROVED BY THE CITY REPRESENTATIVE, SUCH THAT THE SURFACE IS FLUSH WITH THE SURROUNDING PAVEMENT.



CITY of WESTMINSTER
4800 WEST 92ND AVENUE
WESTMINSTER, COLO. 80031

UTILITY TEST HOLE
 REPAIR

DATE: MARCH 2022

R34